



# SNOW REMOVAL

**Selection,  
Innovation,  
Performance**

Your One-Stop Shop  
for Hydraulic Tools  
and Attachments



# SNOW BLADES



The **114 Series Snow Blade** is available in either hydraulic or manual angle. For Skid Steers, Compact Tool Carriers, and Compact Utility Loaders.

- Hydraulically angles 30° in either direction
- Reversible and replaceable wear edge
- Adjustable skid-shoes
- Spring-loaded trip mechanism
- 23" 7-gauge steel blade
- Heavy structural steel frame
- Standard hydraulic angle
- Optional manual angle
- Optional rubber wear edge

## SPECIFICATIONS 114 SERIES

MODEL	WEIGHT (APPROX)	WIDTH OD	HEIGHT OD	CUTTING WIDTH @ MAX ANGLE
11448	460 lbs	48"	23"	41.5"
11460	510 lbs	60"	23"	52"
11472	595 lbs	72"	23"	62"
11484	635 lbs	84"	23"	73"
11496	650 lbs	96"	23"	83"

Carrier Specifications: lift capacities <5,000 lbs operating weight <8,000 lbs

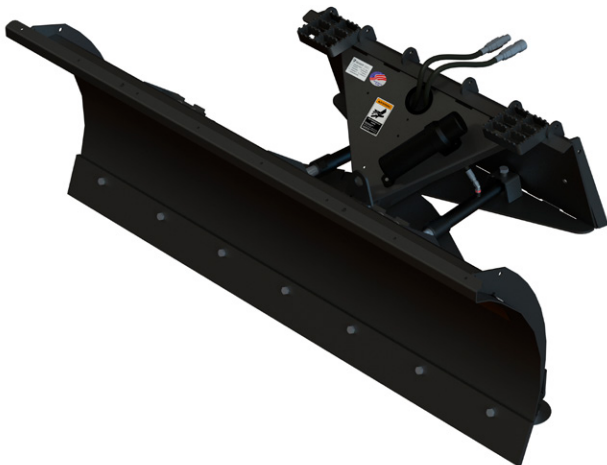
The **5700 Series** angles 30° in either direction hydraulically. Blade is made from reinforced ten gauge steel. For SSL, Compact Utility Loaders, and Backhoe Loaders.

- Reversible and replaceable wear edge
- Adjustable skid shoes
- Spring-loaded trip mechanism
- Heavy structural steel frame
- Standard hydraulic angle
- Optional rubber wear edge

## SPECIFICATIONS 5700 SERIES

MODEL	WEIGHT (APPROX)	WIDTH	HEIGHT	CUTTING WIDTH @ 30° ANGLE
LAF5784	875 lbs	84"	32"	73"
LAF5796	930 lbs	96"	32"	83"
LAF5708	890 lbs	108"	32"	93"
LAF5720	1065 lbs	120"	32"	104"
LAF5732	1125 lbs	132"	32"	114"
LAF5744	1185 lbs	144"	32"	125"

Carrier Specifications: lift capacities <9,000 lbs operating weight <11,000 lbs



The **115 Series** angles 35° in either direction hydraulically. Equipped with a 7-gauge steel blade. Optional flap reduces snow spillage. For Large SSL, Compact Utility Loaders, Small Wheel Loaders and Backhoe Loaders.

- Replaceable wear edge (optional rubber edge)
- Adjustable skid shoes
- Spring-loaded trip mechanism



SPECIFICATIONS 115 SERIES				
MODEL	WEIGHT (APPROX)	WIDTH	HEIGHT	CUTTING WIDTH @ 35° ANGLE
11584	1125 lbs	84"	32"	69"
11596	1180 lbs	96"	32"	79"
11508	1235 lbs	108"	32"	88"
11520	1315 lbs	120"	32"	98"
11532	1375 lbs	132"	32"	108"
11544	1435 lbs	144"	32"	118"

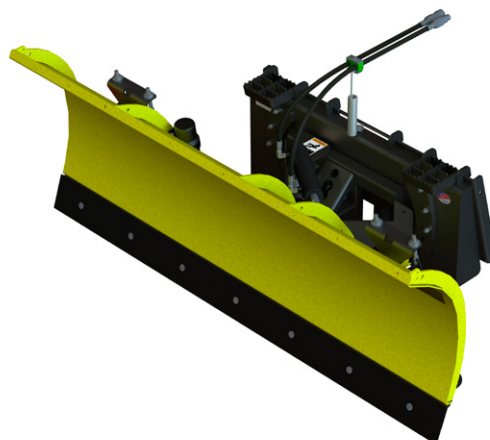
Carrier Specifications: lift capacities <10,000 lbs operating weight <20,000 lbs

The **136 Series** has a cutting edge trip system that allows operator to glide over manholes and curb obstructions without losing gathered material. For skid-steers.

- Angles 30° in either direction hydraulically
- Reversible high carbon steel bolt-on edge
- 5° floating tilt allows for cleaner snow removal

SPECIFICATIONS 136 SERIES				
MODEL	WEIGHT (APPROX)	WIDTH	HEIGHT	CUTTING WIDTH @ 30° ANGLE
13684	940 lbs	84"	33"	73"
13696	990 lbs	96"	33"	83"
13608	1030 lbs	108"	33"	93.5"

Carrier Specifications: lift capacities <9,000 lbs operating weight <11,000 lbs



**IMPORTANT:** All replacement hydraulic hoses and fittings must have a minimum rated working pressure of 4000 psi. Hoses and hydraulic couplers from the attachment to the loader are included for skid-steer only.

# SNOW BUCKETS



**Snow Buckets** move large volumes of snow or other loose materials efficiently. Equipped with a cut out back plate for better visibility. Quickly attaches to all skid-steer, backhoe, utility loader and small wheel loader brands. Optional Bolt on edge available. For SSL, Compact Utility Loaders, Compact Wheel Loaders, and Backhoe Loaders



## SPECIFICATIONS

MODEL	WEIGHT (APPROX)	WIDTH	HEIGHT	DEPTH	LEADING EDGE	CAPACITY STRUCK	CAPACITY HEAPED
11184 <sup>1</sup>	733 lbs	84"	29.9"	42.0"	29.7"	1.14 yd <sup>3</sup>	1.47 yd <sup>3</sup>
11196 <sup>1</sup>	795 lbs	96"	29.9"	42.0"	29.7"	1.31 yd <sup>3</sup>	1.70 yd <sup>3</sup>
11197 <sup>1</sup>	999 lbs	96"	37.6"	46.2"	32.5"	1.83 yd <sup>3</sup>	2.36 yd <sup>3</sup>
11101 <sup>2</sup>	820 lbs	101.5"	29.9"	42.0"	29.7"	1.40 yd <sup>3</sup>	1.82 yd <sup>3</sup>
11102 <sup>2</sup>	1020 lbs	101.5"	37.6"	46.2"	32.5"	1.95 yd <sup>3</sup>	2.52 yd <sup>3</sup>
11108 <sup>2</sup>	1078 lbs	108"	37.6"	46.2"	32.5"	2.07 yd <sup>3</sup>	2.67 yd <sup>3</sup>

### 1Med. Duty Bucket

Carrier Specifications: lift capacities <5,000 lbs operating weight <8,000 lbs

### 2Heavy Duty Bucket

Carrier Specifications: lift capacities <9,500 lbs operating weight <11,000 lbs

# ICESHARK™ SNOW BLOWERS

The **250 Series IceShark Snow Blower** maximizes productivity by offering a robust set of features to withstand aggressive use in various conditions. The 250 series Snow Blower was designed to offer the cleanest scrape, snow removal up to structures, and flexibility to place the snow out of the way. To further revolutionize snow removal, our groundbreaking patented backdrag options empower operators with the extraordinary ability to clear snow from as close as 6 inches to any wall, greatly minimizing the arduous task of shoveling.



- The new patented backdrag option minimizes the need for shoveling by allowing operators to remove snow as close as 6 inches from any walls
- The built-in yellow indicators provide guidance to operators as they approach structures, offering assistance and prompting them before engaging the backdrag functionality
- The new 3D floating hitch provides smooth operation on uneven surfaces by offering side-to-side, up-and-down, and front-to-back motion
- With the 3D floating hitch, an uninterrupted scrape is achieved, resulting in a cleaner surface and reducing the need for salt.
- The dual articulating chute gives users unprecedented control over snow placement, with 270 degrees of motion and the ability to blow snow as close as 3 feet or as far as 45 feet.
- The toolless adjustable steel skid skis enable quick transitions from gravel to pavement, providing convenience and ease of use.

ICESHARK SNOW BLOWERS SPECIFICATIONS	COMPACT & STANDARD FLOW				HIGH FLOW	
	48"	60"	72"	84"	72"	84"
Overall Length without Backdrag	46"	46"	46"	46"	49.3"	49.3"
Overall Length with Backdrag*	-	57.8"	57.8"	57.8"	61.3"	61.3"
Overall Width	53"	65"	77"	89"	77"	89"
Maximum Overall Height	71"	71"	71"	71"	78"	78"
Minimum Overall Height	60"	60"	60"	60"	65.75"	65.75"
Cutting Width	48"	60"	72"	84"	72"	84"
Cutting Height	27.5"	27.5"	27.5"	27.5"	34"	34"
Hydraulic Pressure	3500 PSI				4200 PSI	

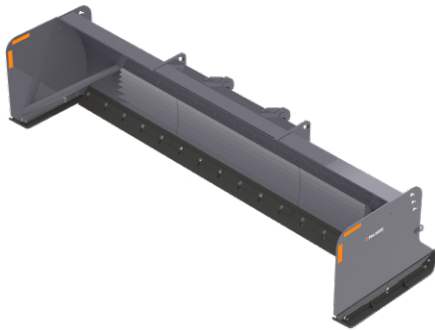
\*Backdrag not available in 48" models

# SNOW PUSHES



The **FFC® Snow Push**, by Paladin is engineered of heavy-duty, fully welded steel with 3/8" thick end plates to capture and remove even the heaviest snow without leaving windrows or spillover. For SSL, Compact Utility Loaders, Small Wheel Loaders and Backhoe Loaders..

- Moves large volumes of snow efficiently
- Rubber edge standard on all models
- Ideal for waste water, manure, feed lot and food cleanup
- Optional Pull Back Kit draws back snow from buildings, fences and confined areas



## 228 SERIES (4 FT X 4 FT) SNOW PUSH SPECIFICATIONS

MODEL	PATH WIDTH	WORKING HEIGHT	DEPTH	OVERALL WIDTH	WEIGHT (APPROX)
22812	142.5"	48.8"	71.8"	149.7"	2485 lbs
22814	166.5"	48.8"	71.8"	173.7"	2660 lbs
22816	190.5"	48.8"	71.8"	197.7"	2835 lbs
22820	238.5"	48.8"	71.8"	245.7"	3185 lbs

Carrier Specifications: Lift Capacity: <9,500 lbs; Operating Weight <30,000 lbs



## 232 SERIES (LOW PROFILE) SNOW PUSH SPECIFICATIONS

MODEL	PATH WIDTH	WORKING HEIGHT	DEPTH	OVERALL WIDTH	WEIGHT (APPROX)
23272-0022	71.5"	23.7"	38.1"	77.3"	525 lbs
23284-0022	83.5"	23.7"	38.1"	89.3"	570 lbs
23296-0022	95.5"	23.7"	38.1"	101.3"	610 lbs
23220-0022	119.5"	23.7"	38.1"	125.3"	705 lbs

Carrier Specifications: Lift Capacity: <9,500 lbs; Operating Weight <11,500 lbs



## 233 SERIES (3FT X 3FT) SNOW PUSH SPECIFICATIONS

MODEL	PATH WIDTH	WORKING HEIGHT	DEPTH	OVERALL WIDTH	WEIGHT (APPROX)
23396	95.5"	41.3"	41.5"	101.5"	1100 lbs
23320	119.5"	41.3"	41.5"	125.5"	1230 lbs
23344	143.5"	41.3"	41.5"	149.5"	1375 lbs
23368	167.5"	41.3"	41.5"	173.5"	1505 lbs

Carrier Specifications: Lift Capacity: <11,000 lbs; Operating Weight <20,000 lbs

# COMPACT TRACTOR SNOW PUSHES

FFC® also features **Compact Tractor Snow Pushes** designed to mount on tractor front-end loaders with universal skid steer style mountings. Lift capacity of the loader should be less than 2,000 lbs. These snow pushes have side wearing skids and a rubber cutting edge.



## COMPACT TRACTOR SNOW PUSH SPECIFICATIONS

MODEL	PATH WIDTH	WORKING HEIGHT	DEPTH	OVERALL WIDTH	WEIGHT (APPROX)
10707-60-0822	61.8"	30.8"	34"	62.3"	415 lbs
10707-72-0822	73.8"	30.8"	34"	74.3"	450 lbs
10707-84-0822	85.8"	30.8"	34"	86.3"	484 lbs
10707-96-0822	97.8"	30.8"	34"	98.3"	518 lbs

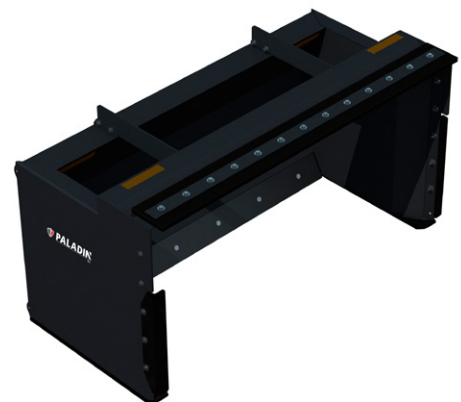
Carrier Specifications: Lift Capacity: <2,000 lbs; Operating Weight <4,000 lbs



## COMPACT TRACTOR TRIP EDGE MODELS SNOW PUSH SPECIFICATIONS

MODEL	PATH WIDTH	WORKING HEIGHT	DEPTH	OVERALL WIDTH	WEIGHT (APPROX)
10709-78-0822	72.9"	39.8"	44.1"	80.4"	850 lbs
10709-96-0822	90.9"	39.8"	44.1"	98.4"	930 lbs
10709-08-0822	102.9"	39.8"	44.1"	110.4"	990 lbs
10709-20-0822	112.4"	39.8"	44.1"	119.9"	1030 lbs

Carrier Specifications: Lift Capacity: <4,000 lbs; Operating Weight <8,000 lbs



**SELECTION.  
INNOVATION.  
PERFORMANCE.**

