



PALADIN[®]
BRADCO

GROUND SHARK[®] BRUSH CUTTERS

**Selection,
Innovation,
Performance**

Your One-Stop Shop
for Hydraulic Tools
and Attachments



GROUND SHARK® MATRIX

FAMILY	MODEL	CUT WIDTH	CUT DIA	MIN CUT HT	WT LBS	FLOW GPM	MOTOR	MULCHPOWER GAUGE	HOSE WRAP	BI-DIRECTIONAL CUTTING
Standard Duty (SD)	GS60SD	60	4	2	1120	15-25	Gerotor	Optional		●
Standard Duty (SD)	GS72SD (A)	72	4	2	1280	15-25	Gerotor	Optional		●
Standard Duty (SD)	GS72SD (B)	72	4	2	1280	26-32	Gerotor	Optional		●
Standard Duty (SD)	GS72SD (C)	72	4	2	1320	33-40	Gerotor	Optional		●
Standard Duty (SD)	GS78SD (A)	78	4	2	1365	15-25	Gerotor	Optional		●
Standard Duty (SD)	GS78SD (B)	78	4	2	1365	26-32	Gerotor	Optional		●
Standard Duty (SD)	GS78SD (C)	78	4	2	1405	33-40	Gerotor	Optional		●
Heavy Duty (HD)	GS66HD	66	7	2.5*	1605	20-34	Gerotor	Optional	●	●
Heavy Duty (HD)	GS72HD	72	7	2.5*	1800	20-34	Gerotor	Optional	●	●
High Performance (HP)	GS72HP	72	10	2.5*	1865	30-45	Radial Piston	●	●	
High Performance (HP)	GS84HP	84	10	2.5*	2178	30-40	Radial Piston	●	●	
Extreme Duty (XD)	GS72XD	72	10	3.25*	2008	30-45	Radial Piston	●	●	
Extreme Duty (XD)	GS78XD	78	10	3.25*	2267	30-45	Radial Piston	●	●	

*Angled Front Allows Cut to Ground Level

STANDARD DUTY (SD)

ROUTINE LAND MAINTENANCE

Cuts back grass overgrowth and heavy brush up to 4" in diameter. Low-profile design slips easily under fences. The perfect general purpose brush cutter for routine land maintenance.

HEAVY DUTY (HD)

MORE AGGRESSIVE

For heavier brush and trees up to 7" in diameter. Includes carbide mulching teeth and a patented retractable front shield, allowing blades to fully engage with trees for deep, aggressive cuts.

HIGH PERFORMANCE (HP)

MOST RANGE

Handles wider range of vegetation conditions including grass, brush and trees up to 10". Optimized blade carrier design with forged AR400 blades for fast startup and recovery time. Wide 84" cutting path offered for increased productivity. Includes patented retractable front shield and MulchPower™ feedback technology.

EXTREME DUTY (XD)

MOST AGGRESSIVE

For very heavy brush and trees up to 10" in diameter. Heavier than the Heavy-Duty version by having; bigger blades, bigger deck, and double-pin blade retention. Includes carbide stump grinding teeth, patented retractable front shield and MulchPower™ feedback technology.

GROUND SHARK[®] MATRIX

FAMILY	MODEL	BLADE QTY & TYPE	HEX SHANK BOLT	PUCK BLADE MOUNT	CARBIDE TEETH QTY	DECK THICKNESS	PUSH BAR	SERRATED EDGES - BAR & DECK	DUAL WHEEL KIT	RETRACTABLE SHIELD
Standard Duty (SD)	GS60SD	3 - Bi-Directional				0.25			Opt	
Standard Duty (SD)	GS72SD (A)	3 - Bi-Directional				0.25			Opt	
Standard Duty (SD)	GS72SD (B)	3 - Bi-Directional				0.25			Opt	
Standard Duty (SD)	GS72SD (C)	3 - Bi-Directional				0.25			Opt	
Standard Duty (SD)	GS78SD (A)	3 - Bi-Directional				0.25			Opt	
Standard Duty (SD)	GS78SD (B)	3 - Bi-Directional				0.25			Opt	
Standard Duty (SD)	GS78SD (C)	3 - Bi-Directional				0.25			Opt	
Heavy Duty (HD)	GS66HD	3 - Bi-Directional	●		24	0.25	●	●		●
Heavy Duty (HD)	GS72HD	4 - Bi-Directional	●		48	0.25	●	●		●
High Performance (HP)	GS72HP	3 - Uni-Directional Single Edge	●			0.25	●	●		●
High Performance (HP)	GS84HP	3 - Uni-Directional Single Edge	●			0.31	●	●		●
Extreme Duty (XD)	GS72XD	4 - Uni-Directional Double Bevel Edge / Flippable		●	18	0.25	●	●		●
Extreme Duty (XD)	GS78XD	4 - Uni-Directional Double Bevel Edge / Flippable		●	22	0.25	●	●		●

FEATURES - ALL MODELS

- Route Hoses Either Side
- Deck Steps on Both Sides
- Blade Accessible Cover
- Bolt-On Replaceable Skid Shoes
- Shielded Motor & Valve Assembly
- Leading Edge Radius Guide
- High-Strength Chain Guard
- Safety Lift Limit Chain
- Braking System
- Audible Braking Signal
- Hydraulic Couplers Included
- Direct Drive
- Tie Down & Lift Points
- High Grade 50 KPSI Yield Deck Steel

STANDARD DUTY BRUSH CUTTERS

The Ground Shark® Standard Duty Brush Cutter is designed to clear light to medium density brush and hardwoods up to 4" diameter. The Ground Shark direct drive system runs efficiently, smooth and quiet while cutting the toughest material. Low-profile design slips easily under fences. The perfect general purpose brush cutter for routine land maintenance.



CUTS UP TO
4"
DIAMETER
MATERIAL

UP TO
78"
CUTTING
WIDTH

3
BI-DIRECTIONAL
CUTTING BLADES

FEATURES

- Dual pressure reliefs on the hydraulic motor allow for bi-directional operation protect against pressure spikes that could damage the drive system.
- Bi-directional forged steel blades (3) allow operator to cut in both directions extending operational life and reducing maintenance cost by cutting heavier brush in one-direction and grass or smaller vegetation in the other.
- The Ground Shark line of brush cutters include special hydraulic valving to shut the cutter head down quickly and safely. There is a distinct audible sound during the shutdown which will indicate to the operator that the blades are coming to a stop.
- Direct drive motor for efficient performance.
- Deck steps on both sides to facilitate different carriers with entry on left or right side. Hose routing can also be configured on either side.
- Deck Leading Edge Radius Guide enables smoother material glide path.
- .25 thick steel deck design.
- Bolt-on replaceable skid shoes.
- An optional MulchPower™ gauge is visible to the operator and helps prevent excessive stalling and overheating.
- Optional dual wheel kits are available that mount to the underside of the front deck to keep the blades off the ground and prevent scalping.

STANDARD DUTY BRUSH CUTTERS

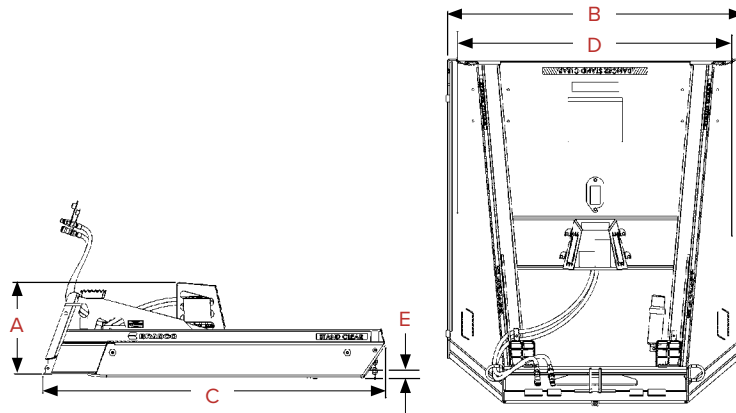
MULCHPOWER™ PRESSURE GAUGE (OPTIONAL)

Paladin MulchPower™ Technology provides live, dynamic power and loading feedback to the operator through a unique pressure monitoring gauge. With MulchPower™ operators can see when the tool is fully charged and also when it is nearing a state of being overloaded, so that operating technique can be adjusted to maximize performance.



- **RUN AT PEAK POWER:** Greater starting power improves cutting efficiency and tool life, increasing overall job productivity and decreasing total operating costs.
- **AVOID STALLING:** Greater starting power dramatically reduces the likelihood of stalling.
- **WORK WITH CONFIDENCE:** Conditions change from job to job. MulchPower™ lets you be more aggressive when the job will allow it, letting you maximize your production.
- **GREEN** - Optimal Operating Pressure
- **YELLOW** - Approaching Attachment Stall Pressure
- **RED** - Attachment Stalled/Not Recommended Operating Pressure

SPECIFICATIONS



	GS60SD	GS72SD (A)	GS72SD (B)	GS72SD (C)	GS78SD (A)	GS78SD (B)	GS78SD (C)
ORDER CODE	30360A-0022	30372A-0022*	30372B-0022*	30372C-0022*	30378A-0022*	30378B-0022*	30378C-0022*
COUPLER SIZE	1/2 IN.	1/2 IN.	1/2 IN.	1/2 IN.	1/2 IN.	1/2 IN.	1/2 IN.
A. OVERALL HEIGHT	24 IN.	24 IN.	24 IN.	27 IN.	24 IN.	24 IN.	27 IN.
B. OVERALL WIDTH	64 IN.	76 IN.	76 IN.	76 IN.	82 IN.	82 IN.	82 IN.
C. OVERALL LENGTH	76 IN.	88 IN.	88 IN.	88 IN.	9 IN.	94 IN.	94 IN.
D. CUTTING WIDTH	60 IN.	72 IN.	72 IN.	72 IN.	78 IN.	78 IN.	78 IN.
E. MINIMUM CUTTING HEIGHT	2 IN.	2 IN.	2 IN.	2 IN.	2 IN.	2 IN.	2 IN.
CUTTING CAPACITY	4 IN.	4 IN.	4 IN.	4 IN.	4 IN.	4 IN.	4 IN.
DECK THICKNESS	.25 IN.	.25 IN.	.25 IN.	.25 IN.	.25 IN.	.25 IN.	.25 IN.
RECOMMENDED FLOW	15-25 GPM	15-25 GPM	26-32 GPM	33-40 GPM	15-25 GPM	26-32 GPM	33-40 GPM
REQUIRED LIFT CAPACITY	1200 LBS	1400 LBS	1400 LBS	1500 LBS	1500 LBS	1500 LBS	1600 LBS
WEIGHT	1120 LBS	1280 LBS	1280 LBS	1320 LBS	1360 LBS	1365 LBS	1405 LBS

* 5/8" and 3/4" Coupler Models Available, Please Contact Your Local Paladin Rep for More Information

HEAVY DUTY BRUSH CUTTERS

Designed to clear medium to heavy brush and hardwoods up to 7" in diameter. When the exclusive, patented retractable forward shield comes in contact with a tree, it moves up and back to expose the entire cutting edge of each blade while protecting the operator from flying debris.



CUTS UP TO
7"
DIAMETER
MATERIAL

UP TO
72"
CUTTING
WIDTH

3 BI-DIRECTIONAL
CUTTING BLADES
ON 66" MODEL

4 BI-DIRECTIONAL
CUTTING BLADES
ON 72" MODEL

FEATURES

- Deck steps on both sides to facilitate different carriers with entry on left or right side.
- The hydraulic hoses can be easily rerouted to allow hookup to multiple machine brands.
- Exclusive patented retractable cutting forward shield. When using the Ground Shark on brush/trees that are bigger than 4" in diameter, the shield will retract on its own to allow for maximum performance.
- Serrated Edges on Push Bar and Chassis front corners enable better control when moving material.
- The motor and valve assembly are fully shielded preventing contact with debris.
- Three 5/8" thick bevel edge blades on 66" model and four on 72" model. Forged from top grade steel for excellent cutting in most applications.
- Direct drive motor for efficient performance.
- The Ground Shark line of brush cutters include special hydraulic valving to shut the cutter head down quickly and safely. There is a distinct audible sound during the shutdown which will indicate to the operator that the blades are coming to a stop.
- Bi-directional operation allows operators to utilize both edges of each blade without having to rotate or change blades
- Optional MulchPower™ gauge is visible to the operator and helps prevent excessive stalling and overheating.
- Blade retention bolt hex shank is design to prevent the bolt from rotating under extreme cutting conditions.
- Bolt on carbide stump grinding teeth increases mulching performance and takes the stump down to ground level.
- .25" thick steel deck design
- Bolt-on replaceable skid shoes

HEAVY DUTY BRUSH CUTTERS

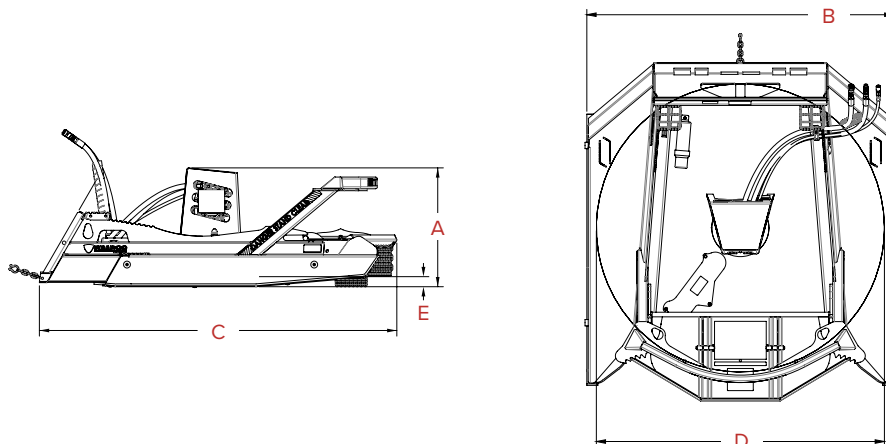
MULCHPOWER™ PRESSURE GAUGE (OPTIONAL)

Paladin MulchPower™ Technology provides live, dynamic power and loading feedback to the operator through a unique pressure monitoring gauge. With MulchPower™ operators can see when the tool is fully charged and also when it is nearing a state of being overloaded, so that operating technique can be adjusted to maximize performance.



- **RUN AT PEAK POWER:** Greater starting power improves cutting efficiency and tool life, increasing overall job productivity and decreasing total operating costs.
- **AVOID STALLING:** Greater starting power dramatically reduces the likelihood of stalling.
- **WORK WITH CONFIDENCE:** Conditions change from job to job. MulchPower™ lets you be more aggressive when the job will allow it, letting you maximize your production.
- **GREEN** - Optimal Operating Pressure
- **YELLOW** - Approaching Attachment Stall Pressure
- **RED** - Attachment Stalled/Not Recommended Operating Pressure

SPECIFICATIONS



	GS66HD			GS72HD		
ORDER CODE	31766-0022	31766-9903	31766-9925	31772-0022	31772-9903	31772-9925
COUPLER SIZE	1/2 IN.	5/8 IN.	3/4 IN.	1/2 IN.	5/8 IN.	3/4 IN.
A. OVERALL HEIGHT	28.13 IN.	28.13 IN.	28.13 IN.	28.13 IN.	28.13 IN.	28.13 IN.
B. OVERALL WIDTH	71.13 IN.	71.13 IN.	71.13 IN.	77.13 IN.	77.13 IN.	77.13 IN.
C. OVERALL LENGTH	81.75 IN.	81.75 IN.	81.75 IN.	85.59 IN.	85.59 IN.	85.59 IN.
D. CUTTING WIDTH	66 IN.	66 IN.	66 IN.	72 IN.	72 IN.	72 IN.
E. MINIMUM CUTTING HEIGHT	2.5* IN.	2.5* IN.	2.5* IN.	2.5* IN.	2.5* IN.	2.5* IN.
MINIMUM STUMP GRINDING HEIGHT	.75 IN.	.75 IN.	.75 IN.	.5 IN.	.5 IN.	.5 IN.
CUTTING CAPACITY	7 IN.	7 IN.	7 IN.	7 IN.	7 IN.	7 IN.
DECK THICKNESS	.25 IN.	.25 IN.	.25 IN.	.25 IN.	.25 IN.	.25 IN.
RECOMMENDED FLOW	20-34 GPM	20-34 GPM	20-34 GPM	20-34 GPM	20-34 GPM	20-34 GPM
REQUIRED LIFT CAPACITY	2200 LBS	2200 LBS	2200 LBS	2200 LBS	2200 LBS	2200 LBS
WEIGHT	1605 LBS	1605 LBS	1605 LBS	1800 LBS	1800 LBS	1800 LBS

*Angled Front Allows Cut to Ground Level

HIGH PERFORMANCE BRUSH CUTTERS

The High Performance Brush Cutters offer a robust solution for clearing a wide range of grasses, brush and hardwoods up to 10" in diameter. Both models include a radial piston direct drive hydraulic motor for higher efficiency and extended durability, while an optimized tri-lobe blade carrier design allows for a fast startup and recovery time.



CUTS UP TO
10"
DIAMETER
MATERIAL

UP TO
84"
CUTTING
WIDTH

3
UNI-DIRECTIONAL
CUTTING BLADES

FEATURES

- Deck steps on both sides to facilitate different carriers with entry on left or right side.
- The hydraulic hoses can be easily rerouted to allow hookup to multiple machine brands.
- Exclusive patented retractable cutting forward shield. When using the Ground Shark on brush/trees that are bigger than 4" in diameter, the shield will retract on its own to allow for maximum performance.
- Serrated Edges on Push Bar and Chassis front corners enable better control when moving material
- The motor and valve assembly are fully shielded preventing contact with debris.
- 3 blades 5/8" thick by 5" wide made from high grade abrasive resistant AR400 steel.
- Tri-lobe blade carrier 1" thick high grade steel.
- Blade retention bolt hex shank is design to prevent the bolt from rotating under extreme cutting conditions.
- Standard MulchPower™ gauge is visible to the operator and helps prevent excessive stalling and overheating.
- Bolt-on replaceable skid shoes
- The Ground Shark line of brush cutters include special hydraulic valving to shut the cutter head down quickly and safely. There is a distinct audible sound during the shutdown which will indicate to the operator that the blades are coming to a stop.
- 84" deck plate constructed of thick .31" grade 50 KPSI thick steel.
- High torque radial piston direct drive hydraulic motor for more efficient power, improved startup and recovery.
- Higher recovery rate than extreme duty models.
- Optimized for horizontal cutting.

HIGH PERFORMANCE BRUSH CUTTERS

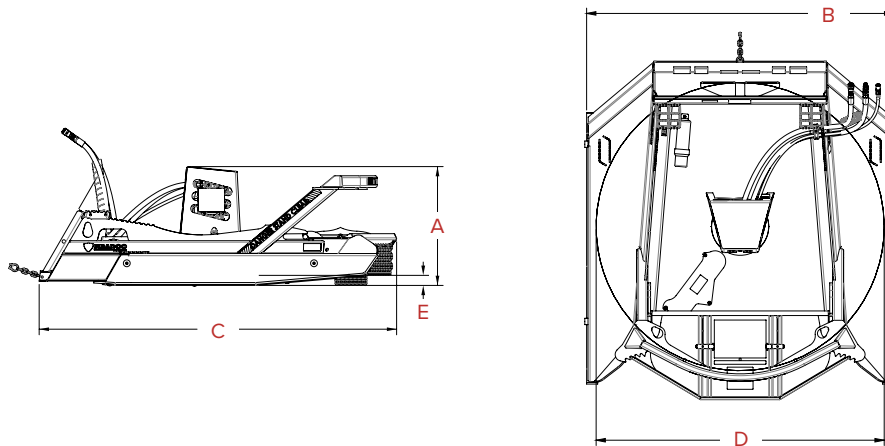
MULCHPOWER™ PRESSURE GAUGE (INCLUDED)

Paladin MulchPower™ Technology provides live, dynamic power and loading feedback to the operator through a unique pressure monitoring gauge. With MulchPower™ operators can see when the tool is fully charged and also when it is nearing a state of being overloaded, so that operating technique can be adjusted to maximize performance.



- **RUN AT PEAK POWER:** Greater starting power improves cutting efficiency and tool life, increasing overall job productivity and decreasing total operating costs.
- **AVOID STALLING:** Greater starting power dramatically reduces the likelihood of stalling.
- **WORK WITH CONFIDENCE:** Conditions change from job to job. MulchPower™ lets you be more aggressive when the job will allow it, letting you maximize your production.
- **GREEN** - Optimal Operating Pressure
- **YELLOW** - Approaching Attachment Stall Pressure
- **RED** - Attachment Stalled/Not Recommended Operating Pressure

SPECIFICATIONS



	GS72HP			GS84HP		
ORDER CODE	31872-0022	31872-9903	31872-9925	31884-0022	31884-9903	31884-9925
COUPLER SIZE	1/2 IN.	5/8 IN.	3/4 IN.	1/2 IN.	5/8 IN.	3/4 IN.
A. OVERALL HEIGHT	30.5 IN.	30.5 IN.	30.5 IN.	30.5 IN.	30.5 IN.	30.5 IN.
B. OVERALL WIDTH	77.13 IN.	77.13 IN.	77.13 IN.	89.13 IN.	89.13 IN.	89.13 IN.
C. OVERALL LENGTH	89.4 IN.	89.4 IN.	89.4 IN.	98.5 IN.	98.5 IN.	98.5 IN.
D. CUTTING WIDTH	72 IN.	72 IN.	72 IN.	84 IN.	84 IN.	84 IN.
E. MINIMUM CUTTING HEIGHT	2.5* IN.	2.5* IN.	2.5* IN.	2.5* IN.	2.5* IN.	2.5* IN.
CUTTING CAPACITY	10 IN.	10 IN.	10 IN.	10 IN.	10 IN.	10 IN.
DECK THICKNESS	.25 IN.	.25 IN.	.25 IN.	.31 IN.	.31 IN.	.31 IN.
RECOMMENDED FLOW	30-45 GPM	30-45 GPM	30-45 GPM	30-40 GPM	30-40 GPM	30-40 GPM
REQUIRED LIFT CAPACITY	2600 LBS	2600 LBS	2600 LBS	3000 LBS	3000 LBS	3000 LBS
WEIGHT	1895 LBS	1895 LBS	1895 LBS	2178 LBS	2178 LBS	2178 LBS

*Angled Front Allows Cut to Ground Level

EXTREME DUTY BRUSH CUTTERS

The Ground Shark® Extreme Duty High Flow Brush Cutters are designed for clearing medium to heavy density brush and hardwoods up to 10" in diameter from wooded acreages, road right-of-ways, and pipeline maintenance. When the exclusive, patented retractable forward shield comes in contact with a tree, it moves up and back to expose the entire cutting edge of each blade while protecting the operator from flying debris.



CUTS UP TO
10"
DIAMETER
MATERIAL

UP TO
78"
CUTTING
WIDTH

4
UNI-DIRECTIONAL
DOUBLE-BEVEL
CUTTING BLADES

FEATURES

- Deck steps on both sides to facilitate different carriers with entry on left or right side.
- The hydraulic hoses can be easily rerouted to allow hookup to multiple machine brands.
- Exclusive patented retractable cutting forward shield. When using the Ground Shark on brush/trees that are bigger than 4" in diameter, the shield will retract on its own to allow for maximum performance.
- Serrated Edges on Push Bar and Chassis front corners enable better control when moving material
- The motor and valve assembly are fully shielded preventing contact with debris.
- Bolt-on replaceable skid shoes.
- High torque radial piston direct drive hydraulic motor for more efficient power, improved startup and recovery.
- The Ground Shark line of brush cutters include special hydraulic valving to shut the cutter head down quickly and safely. There is a distinct audible sound during the shutdown which will indicate to the operator that the blades are coming to a stop.
- Four 3/4" thick double bevel reversible edge blades machined from AR400 high strength steel for maximum cutting power and durability.
- Multi-fastener blade retention puck mount. 3 bolts hold puck in place for blade to swivel under extreme conditions.
- Pivoting blades are installed with an alternating blade cut angle. This enables cutting action like a swinging axe which clears the previous cut.
- Bolt-on carbide stump grinding teeth increases mulching performance and takes the stump down to ground level.

EXTREME DUTY BRUSH CUTTERS

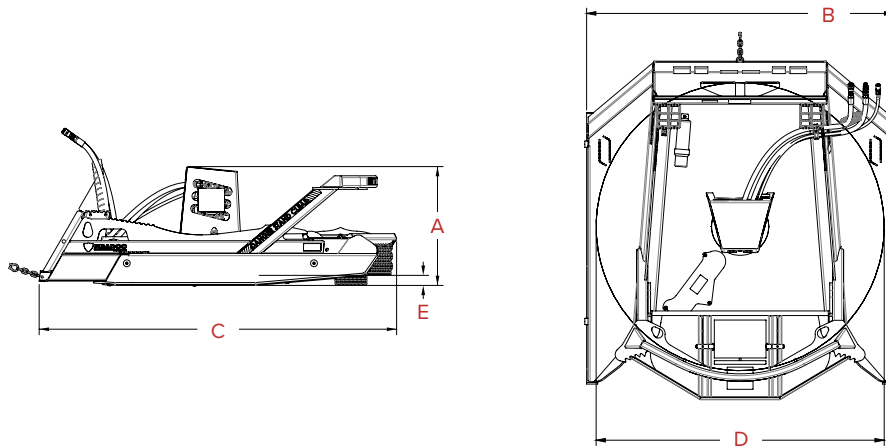
MULCHPOWER™ PRESSURE GAUGE (INCLUDED)

Paladin MulchPower™ Technology provides live, dynamic power and loading feedback to the operator through a unique pressure monitoring gauge. With MulchPower™ operators can see when the tool is fully charged and also when it is nearing a state of being overloaded, so that operating technique can be adjusted to maximize performance.



- **RUN AT PEAK POWER:** Greater starting power improves cutting efficiency and tool life, increasing overall job productivity and decreasing total operating costs.
- **AVOID STALLING:** Greater starting power dramatically reduces the likelihood of stalling.
- **WORK WITH CONFIDENCE:** Conditions change from job to job. MulchPower™ lets you be more aggressive when the job will allow it, letting you maximize your production.
- **GREEN** - Optimal Operating Pressure
- **YELLOW** - Approaching Attachment Stall Pressure
- **RED** - Attachment Stalled/Not Recommended Operating Pressure

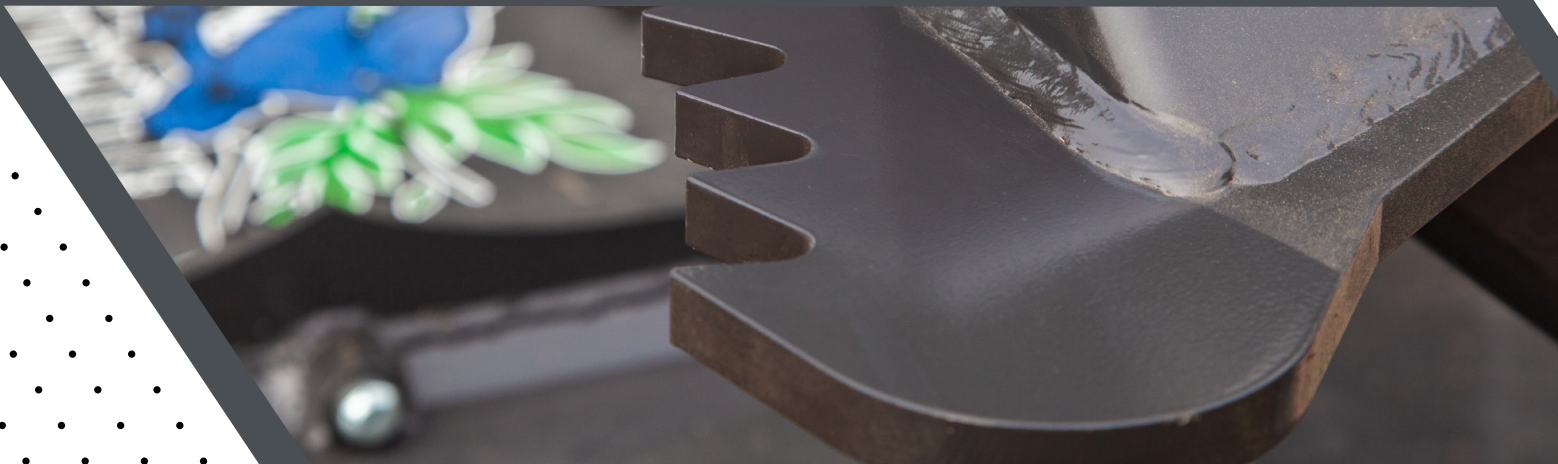
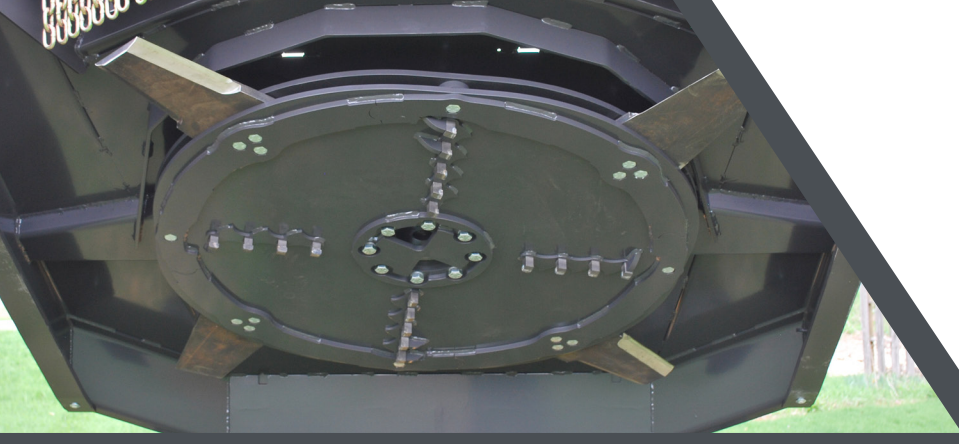
SPECIFICATIONS



	GS72XD			GS78XD		
A. OVERALL HEIGHT	30272-0022	30272-9903	30272-9925	30278-0022	30278-9903	30278-9925
B. OVERALL WIDTH	1/2 IN.	5/8 IN.	3/4 IN.	1/2 IN.	5/8 IN.	3/4 IN.
A. OVERALL HEIGHT	28.13 IN.	28.13 IN.	28.13 IN.	28.13 IN.	28.13 IN.	28.13 IN.
B. OVERALL WIDTH	77.13 IN.	77.13 IN.	77.13 IN.	83.13 IN.	83.13 IN.	83.13 IN.
C. OVERALL LENGTH	85.59 IN.	85.59 IN.	85.59 IN.	91.62 IN.	91.62 IN.	91.62 IN.
D. CUTTING WIDTH	72 IN.	72 IN.	72 IN.	78 IN.	78 IN.	78 IN.
E. MINIMUM CUTTING HEIGHT	3.25* IN.	3.25* IN.	3.25* IN.	3.25* IN.	3.25* IN.	3.25* IN.
MINIMUM STUMP GRINDING HEIGHT	.38 IN.	.38 IN.	.38 IN.	.38 IN.	.38 IN.	.38 IN.
CUTTING CAPACITY	10 IN.	10 IN.	10 IN.	10 IN.	10 IN.	10 IN.
DECK THICKNESS	.25 IN.	.25 IN.	.25 IN.	.25 IN.	.25 IN.	.25 IN.
RECOMMENDED FLOW	30-45 GPM	30-45 GPM	30-45 GPM	30-45 GPM	30-45 GPM	30-45 GPM
REQUIRED LIFT CAPACITY	2400 LBS	2400 LBS	2400 LBS	2700 LBS	2700 LBS	2700 LBS
WEIGHT	2008 LBS	2008 LBS	2008 LBS	2267 LBS	2267 LBS	2267 LBS

*Angled Front Allows Cut to Ground Level

**SELECTION.
INNOVATION.
PERFORMANCE.**



PALADIN®