



PALADIN
SWEEPSTER

**SWEEPERS
CATALOG**

**Selection,
Innovation,
Performance**

Your One-Stop Shop
for Hydraulic Tools
and Attachments





Sweepster®, by Paladin, provides high quality sweepers and replacement brushes that are durable enough to perform under the most challenging conditions. Sweepster® is the industry leader in rotary brooms and offers a complete line of sweepers for every prime mover and application.

SWEEPERS BY PRIME MOVER

SKID STEER LOADERS

QCSS - SSL Angle Sweeper - Hydraulic Drive	5
SB Hopper - SSL Collector Sweeper - Hydraulic Drive	6
SB Heavy Duty - SSL Collector Sweeper - Hydraulic Drive.....	7
VRS-SSL Collector Sweeper, High Capacity - Hydraulic Drive.....	8
VS - SSL Collector Sweeper with Waterless Dust Abatement - Hydraulic Drive.....	9

UTILITY TRACTOR LOADERS

QCTL - Utility Tractor Loader Angle Sweeper - Hydraulic Drive	10
CS - Utility Tractor Loader Collector Sweeper - Hydraulic Drive	11
VCS - Utility Tractor Loader Collector Sweeper with Waterless Dust Abatement - Hydraulic Drive.....	11

WHEEL LOADERS AND TRUCKS

LA - Truck and Wheel Loader Angle Sweeper - Hydraulic Drive.....	12
WLA - Truck and Large Articulated Wheel Loader Angle Sweeper - Hydraulic Drive.....	13

COMPACT TRACTORS

MRHL - Compact Tractor Loader Angle Sweeper - Hydraulic Drive.....	14
MRH - Compact Tractor Angle Sweeper - Hydraulic Drive.....	14
RMRM - Compact Tractor Angle Sweeper - Mechanical 3-Point Drive	15

UTILITY TRACTORS

AH/CH - Utility Tractor Angle Sweeper PTO to Hydraulic Drive	16
RHFA - Utility Tractor Rear Mount Angle Sweeper - Mechanical 3-Point Drive.....	17
RLH - Utility Tractor Rear Mount Angle Sweeper - Hydraulic Drive	17

COMPACT TOOL CARRIERS

Compact Tool Carrier - Angle Sweeper - Hydraulic Drive	18
--	----

COMMERCIAL TURF MOWERS

CTM - Compact Turf Mower Angle Sweeper - Mechanical Drive.....	18
CTH - Commercial Turf Mower Angle Sweeper - Hydraulic Drive	19

TOW BEHIND SWEEPERS

TBTD - Tow Behind Angle Sweeper - Tractor Driven Hydraulic Brush Drive.....	20
TBTH - Tow Behind Angle Sweeper - Hydraulic Drive from Tow Vehicle Hydraulic System.....	20

SWEEPER OPTIONS	21
------------------------------	----

SWEEPER WEAR PARTS	21
---------------------------------	----

SWEEPERS

When it comes to sweeping, there are many challenges

What type of materials are you dealing with - dirt and gravel - concrete and asphalt millings - heavy debris?

How much dust will you produce while sweeping?

How efficiently can you clean-up?

Is your equipment reliable and durable?

With our wide range of sweepers, Paladin can provide the perfect solution for the prime mover you already own.

Some of the standard features of our sweepers include:

- Designed and manufactured to construction grade
- Quick attach mounts
- Durable powder coat finish
- Brush heads of varying widths, diameters, and brush material, including metal, poly and mixed sections
- Reverse flow and brush for "dust pan" sweeping
- Industrial quality motors
- Tool-less Quick Change Core available on most models

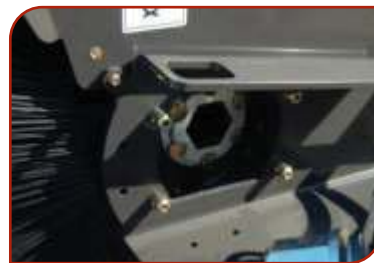


Tool-less Brush Adjustment (VS/VRS)



Hold onto brush adjustment lever. Grasp and pull T-handle quick pin out. Push lever to raise or lower brush head to desired height. Release T-handle quick pin ensuring notch is fully engaged.

Tool-less Quick Change Core



After resting the sweeper on the ground, remove the pins from motor and bearing mounts

Pull out the motor and hex drive assembly. The core/brush head will fall out. Hydraulic hoses do not need to be removed.

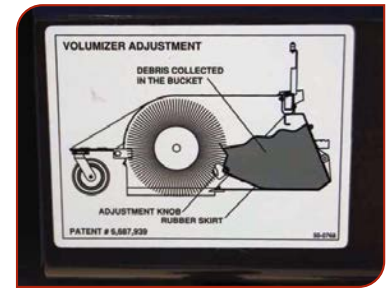
Replace the core/brush head. Insert the motor assembly. Replace the pins. Get back to work!

Collector Sweepers - Exclusive Patented Feature Volumizer® Bar

- Included with VRS and VS models
- Directs swept material more efficiently into bucket
- Increases bucket capacity by 22% with less carry over
- Increased capacity means you will need to dump less often

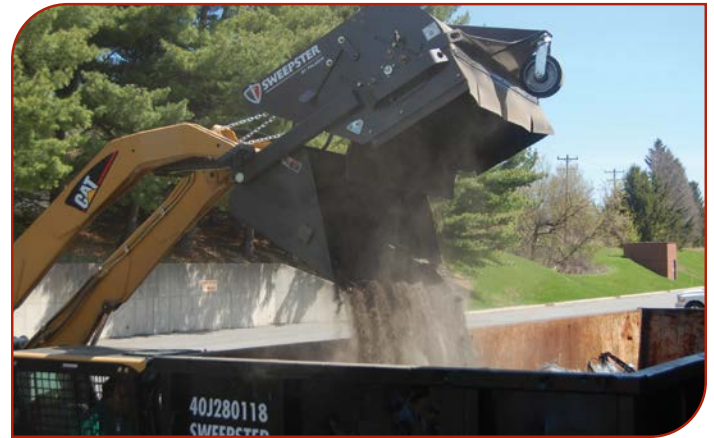


A simple tool-less adjustment knob allows you to accommodate brush wear and still maintain increased bucket capacity



High Dump Feature - VRS/VS

The bucket can be raised high to dump directly into trucks and dumpsters



SPECIAL FEATURES

Exclusive Patented Feature for Collector Sweepers Waterless Dust Abatement

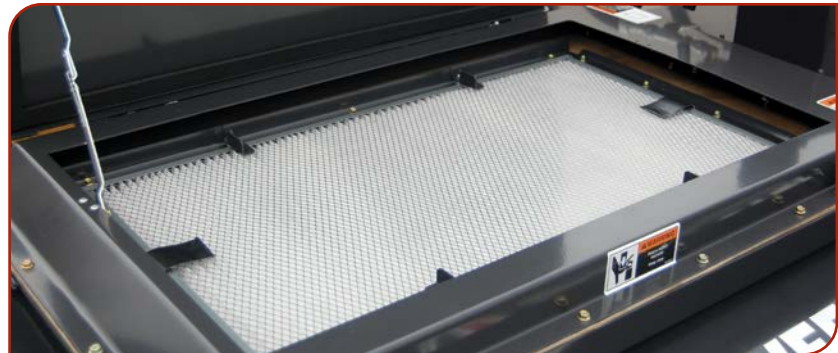
- VS and VCS models
- New hydraulic fan and filter assembly collects fine dust during sweeping
- *Significantly* reduces dust production from sweeping action
- No water tank or sprayer mechanism needed - dust control without impractical water systems that require constant refilling
- Filter can be cleaned by actuating a switch from inside cab
- No mud or clumpy debris cleanup required
- More comfort and safety for operator - no dust blowing into cab during operation



Waterless Dust Abatement Unit



High volume hydraulic fan pulls air from the sweeping chamber filtering the dust and exhausting clean air



A washable PTFE impregnated filter capable of filtering dust as small as 10 microns



12 volt shaker dislodges loose debris from the filter media directly into the hopper



A double drape system seals the sweeping chamber to the ground

SWEEPERS FOR SKID STEER LOADERS

Prime Mover	Product Name	Description	Application
Skid Steers	QCSS Angle	SSL Angle Sweeper-Hydraulic Drive	Heavy duty cleanup
	SB Hopper	SSL Collector Sweeper-Hydraulic Drive	Standard duty cleanup
	SB Heavy Duty	SSL Collector Sweeper-Hydraulic Drive	Heavy duty cleanup, concrete and asphalt millings
	VRS Sweeper	SSL Collector Sweeper with Dust Abatement Capability-Hydraulic Drive	Heavy duty cleanup with high capacity bucket (22% more capacity than SB Hopper) and high dump.
	VS	SSL Collector Sweeper with Waterless Dust Abatement-Hydraulic Drive	Heavy duty cleanup with high capacity bucket (22% more capacity than SB Hopper), high dump, and waterless dust abatement

QCSS - SSL Angle Sweeper - Hydraulic Drive



- Heavy duty cleanup
- Powered from loader hydraulics
- 10-36 GPM flow required (3000 psi)
- Quick attach mount
- 32" brush diameter
- 5', 6', 7', 8' brush widths available
- Mechanical angle standard (hydraulic optional)
- Quick change core
- Optional modular design - can easily change single into dual or dual into single
- Fold away stands

Specifications - Single Motor

Model Number	22059	22060	22071	22072	22083	22084	22096
A. Overall Height	33.5"	33.5"	33.5"	33.5"	33.5"	33.5"	33.5"
B. Overall Width @ 0°	74.8"	74.8"	86.8"	86.8"	98.8"	98.8"	110.8"
C. Overall Length @ 0°	68.5"	68.5"	68.5"	68.5"	68.5"	68.5"	68.5"
D. Sweeping Width @ 0°	60.0"	60.0"	72.0"	72.0"	84.0"	84.0"	96.0"
E. Overall Length @ 30°	77.0"	77.0"	80.0"	80.0"	83.0"	83.0"	86.0"
F. Overall Width @ 30°	75.2"	75.2"	85.6"	85.6"	96.0"	96.0"	106.4"
G. Sweeping Width @ 30°	52.0"	52.0"	62.4"	62.4"	72.8"	72.8"	83.2"
H. Center of Gravity	33.5"	33.5"	34.3"	34.3"	35.2"	35.2"	35.9"
Weight (lbs)	793	831	852	890	915	953	1020
Flow Range (GPM)	10-18	12-25	10-18	12-25	10-18	12-25	12-25
Hydraulic Motor Displacement (C.I.)	18.3	24.9	18.3	24.9	18.3	24.9	24.9
# of Motors	1	1	1	1	1	1	1
Maximum Pressure (PSI)	3500	3000	3500	3000	3500	3000	3500
Maximum Articulation	30°	30°	30°	30°	30°	30°	30°
Brush Diameter	32"	32"	32"	32"	32"	32"	32"

Specifications - Dual Motor

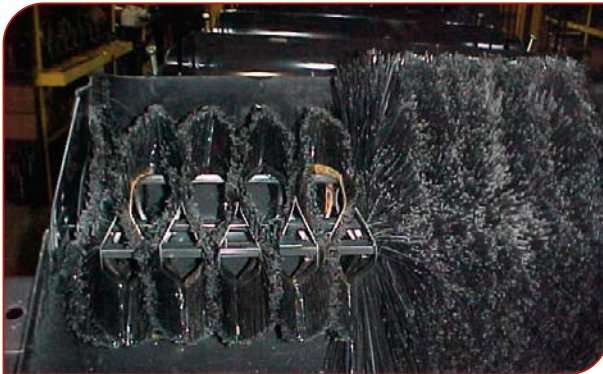
Model Number	22061	22073	22085	22097
A. Overall Height	33.5"	33.5"	33.5"	33.5"
B. Overall Width @ 0°	74.8"	86.8"	98.8"	110.8"
C. Overall Length @ 0°	68.5"	68.5"	68.5"	68.5"
D. Sweeping Width @ 0°	60.0"	72.0"	84.0"	96.0"
E. Overall Length @ 30°	77.0"	80.0"	83.0"	86.0"
F. Overall Width @ 30°	75.2"	85.6"	96.0"	106.4"
G. Sweeping Width @ 30°	52.0"	62.4"	72.8"	83.2"
H. Center of Gravity	34.0"	34.8"	35.6"	36.2"
Weight (lbs)	831	890	953	1020
Flow Range (GPM)	20-36	20-36	20-36	20-36
Hydraulic Motor Displacement (C.I.)	18.3	18.3	18.3	18.3
# of Motors	2	2	2	2
Maximum Pressure (PSI)	3500	3500	3500	3500
Maximum Articulation	30°	30°	30°	30°
Brush Diameter	32"	32"	32"	32"

SWEEPERS FOR SKID STEER LOADERS

SB Hopper - SSL Collector Sweeper - Hydraulic Drive



- Standard duty cleanup
- Direct-drive motor powered from loader hydraulics
- 10-25 GPM flow required (2,000-3,500 psi)
- 26" brush diameter
- 5', 6', 7' brush widths available
- Brush head reversible for "dust panning" debris
- Dump bucket by lifting arms
- Quick change core



Cold Planer Special Option

- Designed to clean up millings after cold planer operations
- Brush is operated in reverse to collect millings in bucket
- Brush sections are compacted dense-filled wafers optimized for clearing the millings

Specifications	SB Hopper Broom		
Model Number	21559/21560	21571/21572	21583/21584
Working Width	60"	72"	84"
Overall Width	66"	78"	90"
Weight (approximate)	808 lbs	916 lbs	1,033 lbs
Brush Diameter	26"	26"	26"
Heaped Capacity	13.9 ft ³	16.8 ft ³	19.8 ft ³
Minimum Hydraulic Flow	10/14 GPM	10/14 GPM	10/14 GPM
Maximum Hydraulic Flow	18/25 GPM	18/25 GPM	18/25 GPM
PSI Range	2,000 - 3,500	2,000 - 3,500	2,000 - 3,500

Specifications	Cold Planer Special		
Model Number	21560P	21572P	21584P
Working Width	60"	72"	84"
Overall Width	66"	78"	90"
Weight (approximate)	840 lbs	979 lbs	1,033 lbs
Brush Diameter	26"	26"	26"
Heaped Capacity	13.9 ft ³	16.8 ft ³	19.8 ft ³
Minimum Hydraulic Flow	15 GPM	15 GPM	15 GPM
Maximum Hydraulic Flow	25 GPM	25 GPM	25 GPM
PSI Range	2,000 - 3,500	2,000 - 3,500	2,000 - 3,500

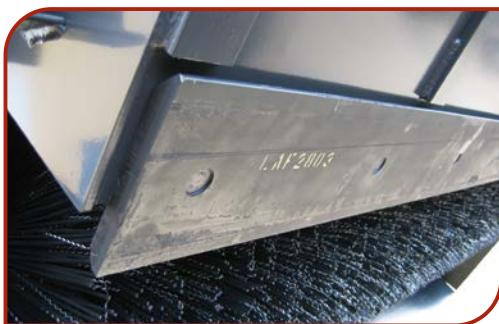
SWEEPERS FOR SKID STEER LOADERS

SB Heavy Duty - SSL Collector Sweeper - Hydraulic Drive

- Heavy duty cleanup
- Bi-directional broom sweeps forward to pick up dirt; reverses to sweep in tight areas
- No front caster wheel; works easily next to walls curbs and obstacles
- Replaceable heavy duty bolt-on cutting edge on bucket
- Optional sprinkler kit with or without 25-gallon tank
- Optional gutter brush kit with poly or wire brush



Additional steel reinforcement/welds between bolts and cutting edge and side plates



Reversible, heavy duty cutting edge



5 wear plates on underside of hopper bin

Specifications	Heavy Duty SB Hopper Broom
Model Number	21571-0022HD/21572-0022HD
Working Width	72"
Overall Width	78"
Weight (approximate)	1060 lbs
Brush Diameter	26"
Heaped Capacity	16.8 ft ³
Minimum Hydraulic Flow	10/14 GPM
Maximum Hydraulic Flow	18/25 GPM
PSI Range	2,000 - 3,500 PSI

SWEEPERS FOR SKID STEER LOADERS

VRS-SSL Collector Sweeper, High Capacity - Hydraulic Drive



- Volumizer® Bar increases bucket capacity by 22%
- High dump feature
- Tool-less brush adjustment
- Heavy duty cleanup
- Brush follows ground contour with front castor
- Powered from SSL hydraulics
- 15-25 GPM flow required
- 26" brush diameter
- 5', 6', 7' brush widths available
- Quick change core

VRS Specifications	VRS5	VRS6	VRS7
Height (overall)	31.6"	31.6"	31.6"
Width (overall)	76"	88"	100"
Length (overall)	72.5"	72.5"	72.5"
Sweeping Width	60"	72"	84"
Center of Gravity	29.5"	29.5"	29.5"
Weight (lbs)	1,235	1,351	1,467
Flow Range (GPM)	12-25	12-25	12-25
Maximum Pressure (PSI)	3,000	3,000	3,000
Brush Diameter	26"	26"	26"
Number of Motors	1	1	1

SWEEPERS FOR SKID STEER LOADERS

VS - SSL Collector Sweeper with Waterless Dust Abatement - Hydraulic Drive

- ***Patented waterless dust abatement***
- Volumizer® Bar increases bucket capacity 22%
- High dump feature
- Heavy duty cleanup
- Brush follows ground contour with front castor
- Powered from SSL hydraulics
- 15-25 GPM flow required
- 26" brush diameter
- 5', 6', 7' brush widths available
- Quick change core
- Tool-less brush adjustment



Specifications	VSS5	VSS6	VSS7
Height (overall)	30"	30"	30"
Width (overall)	73"	85"	97"
Length (overall)	69"	69"	69"
Sweeping Width	60"	72"	84"
Sweeping Width w/ Optional Gutter Brush	72"	84"	96"
Weight (lbs)	1,446	1,562	1,678
Flow Range (GPM)	15-25	15-25	15-25
PSI Range	2,000 - 3,500	2,000 - 3,500	2,000 - 3,500
Hopper Capacity	15 ft ³	18 ft ³	21 ft ³
Waterless Dust Abatement Attachment Specifications			
Weight (approximate)	235 lbs		
Height	6.5"		
Width	59"		
Length	26.5"		
Maximum back pressure	350 psi		

SWEEPERS FOR UTILITY TRACTOR LOADERS

Prime Mover	Product Name	Description	Application
Utility Tractor Loaders	QCTL	Utility Tractor Loader Angle Sweeper-Hydraulic Drive	Heavy duty cleanup
	CS	Utility Tractor Loader Collector Sweeper-Hydraulic Drive	Heavy duty cleanup, hydraulically-activated high dump, front mounted hopper
	VCS	Utility Tractor Loader Collector Sweeper with Waterless Dust Abatement-Hydraulic Drive	Heavy duty cleanup, hydraulically-activated high dump, front mounted hopper, waterless dust abatement

QCTL - Utility Tractor Loader Angle Sweeper - Hydraulic Drive



- Heavy duty cleanup, millings, snow removal
- Powered from loader hydraulics
- 10-36 GPM flow required
- 32" brush diameter
- 5', 6', 7' brush widths available
- Quick attach and pin-on mounts available
- Mechanical angle standard, hydraulic optional
- Quick change core

Specifications

Model #	Width	Width @ 30°	Motors	Brush Diameter	Weight (approx.)	GPM Range
22059	60"	54"	single	32"	793	10-18
22060	60"	54"	single	32"	793	12-25
22061	60"	54"	dual	32"	829	18-36
22071	72"	64"	single	32"	852	10-18
22072	72"	64"	single	32"	852	12-25
22073	72"	64"	dual	32"	890	18-36
22083	84"	75"	single	32"	915	10-18
22084	84"	75"	single	32"	915	12-25
22085	84"	75"	dual	32"	953	18-36
22096	96"	85"	single	32"	982	12-25
22097	96"	85"	dual	32"	1,022	18-36

SWEEPERS FOR UTILITY TRACTOR LOADERS

CS - Utility Tractor Loader Collector Sweeper - Hydraulic Drive

- Heavy duty cleanup, millings, snow removal
- High dump feature activated by reversing flow
- Hopper positioned in front
- Powered from loader hydraulics
- 15-50 GPM flow required
- 26" and 32" brush diameter
- 6', 7', 8', 9' brush widths available
- Quick attach and pin-on mounts available
- Quick change core



Specifications	CS26			CS32	
	6 ft	7 ft	8 ft	8 ft	9 ft
Length (Overall, without quick coupler)	75.25"	75.25"	75.25"	80.25"	80.25"
Width (Overall)	93.0"	105.0"	117.0"	117.0"	129.0"
Sweeping Width	72.0"	84.0"	96.0"	96.0"	108.0"
Brush Diameter	26.0"	26.0"	26.0"	32.0"	32.0"
Hopper Capacity	.40 yd ³	.53 yd ³	.61 yd ³	.91 yd ³	1.02 yd ³
Weight (lbs)	1080	1260	1440	1705	1918
Horizontal CG (Broom lifted)	24.5"	25.5"	26.5"	30.0"	30.0"

VCS - Utility Tractor Loader Collector Sweeper with Waterless Dust Abatement - Hydraulic Drive



- **Patented waterless dust abatement**
- Heavy duty cleanup
- High dump feature activated by reversing flow
- Hopper positioned in front
- Powered from loader hydraulics
- 15-50 GPM flow required
- 26" and 32" brush diameter
- 6', 7', 8', 9' brush widths available
- Quick attach mount
- Quick change core

Specifications							
Model	Sweeping Width	Overall Width	Weight (Approx)	Brush Diameter	Hopper Capacity	GPM Range	PSI Range
20374	72"	93"	1300 lbs	26"	.4 yd ³	15-25	2000-3500
20375	72"	93"	1330 lbs	26"	.4 yd ³	26-50	2000-3500
20386	84"	105"	1480 lbs	26"	.53 yd ³	15-25	2000-3500
20387	84"	105"	1510 lbs	26"	.53 yd ³	26-50	2000-3500
20398	96"	117"	1660 lbs	26"	.61 yd ³	15-25	2000-3500
20399	96"	117"	1690 lbs	26"	.61 yd ³	26-50	2000-3500
20499	96"	117"	1925 lbs	32"	.91 yd ³	26-50	2000-3500
20411	108"	129"	2260 lbs	32"	1.02 yd ³	26-50	2000-3500

SWEEPERS FOR WHEEL LOADERS AND TRUCKS

LA - Truck and Wheel Loader Angle Sweeper - Hydraulic Drive

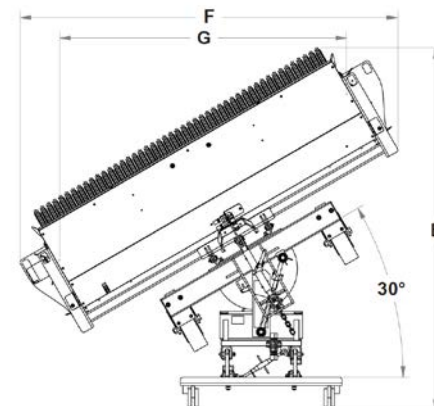
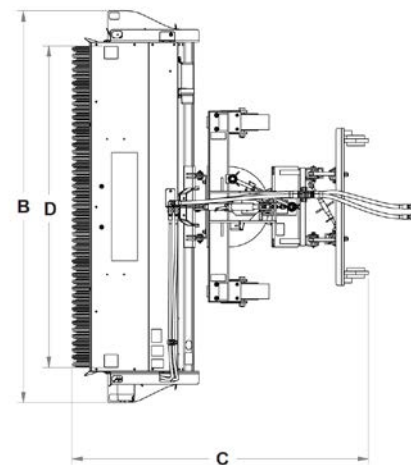
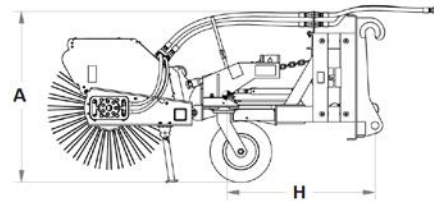
- Heavy duty cleanup
- Dual motors powered from loader hydraulics
- 20-36 GPM flow required (2,000-3,500 psi)
- Casters and parallel arm mounting to follow ground contour are included
- 32" brush diameter
- 8', 9' brush widths available
- Various quick attach and pin-on mounts available
- Mechanical angle standard, hydraulic optional
- Quick change core



Specifications	22197	22109
A. Overall Height	43.7"	43.7"
B. Overall Width	115.8"	127.5"
C. Overall Length	87.6"	87.6"
D. Sweeping Width	96"	108"
E. Overall Length @ 30° Angle	104.3"	107.3"
F. Overall Width @ 30° Angle	108.5"	118.9"
G. Sweeping Width @ 30° Angle	83.2"	93.6"
Center of Gravity (Horizontal)	39"	39.8"
Weight	1400 lbs	1450 lbs

Range of Hydraulic Oil Flow	
Dual Motor	18 to 36 gpm

Range of Hydraulic Oil Pressure	
Dual Motor	3500 psi



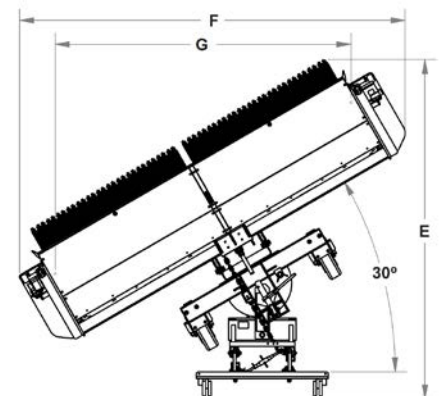
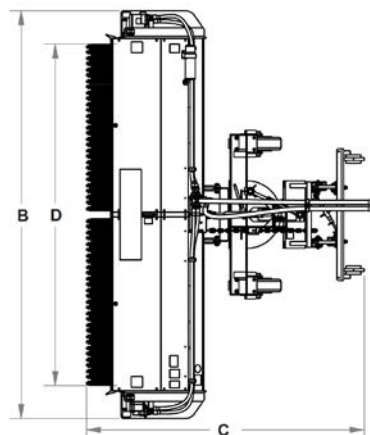
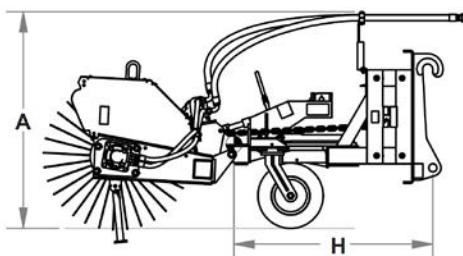
SWEEPERS FOR WHEEL LOADERS AND TRUCKS

WLA - Truck and Large Articulated Wheel Loader Angle Sweeper - Hydraulic Drive



- Heavy duty cleanup
- Dual motors powered from loader hydraulics
- 12-60 GPM flow required (2,000-4,000 psi)
- Casters and parallel arm mounting to follow ground contour are included
- 36" brush diameter
- 10', 12' brush widths available
- Various quick attach and pin-on mounts available
- Mechanical angle standard, hydraulic optional
- Quick change core

Specifications	21319	21320	21321	21343	21344	21345
A. Overall Height	53.2"	53.2"	53.2"	53.2"	53.2"	53.2"
B. Overall Width @ 0°	143.7"	143.7"	143.7"	167.7"	167.7"	167.7"
C. Overall Length @ 0°	97.9"	97.9"	97.9"	97.9"	97.9"	97.9"
D. Sweeping Width @ 0°	120"	120"	120"	144"	144"	144"
E. Overall Length @ 30°	119.5"	119.5"	119.5"	125.5"	125.5"	125.5"
F. Overall Width @ 30°	135.9"	135.9"	135.9"	156.7"	156.7"	156.7"
G. Sweeping Width @ 30°	104"	104"	104"	129"	129"	129"
H. Center of Gravity	48.7"	48.7"	48.8"	50"	50"	50.1"
Approx. Weight	2240 lbs	2240 lbs	2240 lbs	2365 lbs	2365 lbs	2365 lbs
Flow Range	12-30 gpm	18-45 gpm	24-60 gpm	12-30 gpm	18-45 gpm	24-60 gpm
Hydraulic Motor Displacement	11.9 CI	11.9 / 23.9 CI	23.9 CI	11.9 CI	11.9 / 23.9 CI	23.9 CI
Maximum Pressure	3000 psi	3000 psi	3000 psi	3000 psi	3000 psi	3000 psi
Maximum Articulation	30°	30°	30°	30°	30°	30°



SWEEPERS FOR COMPACT TRACTORS

Prime Mover	Product Name	Description	Application
Compact Tractor Loaders	MRHL	Compact Tractor Loader Angle Sweeper - Hydraulic Drive	Cleanup, snow removal, pavement
Compact Tractors	MRH	Compact Tractor Angle Sweeper - Hydraulic Drive	Cleanup, snow removal, pavement
	RMRM	Compact Tractor Angle Sweeper - Mechanical 3-Point Drive	Cleanup, snow removal, pavement

Mid-range and rear mount angle sweepers

MRHL - Compact Tractor Loader Angle Sweeper - Hydraulic Drive

- General cleanup, snow removal, sidewalk cleaning
- Designed for compact tractor loaders <35hp
- Powered from tractor hydraulic system
- 26" and 30" brush diameters
- 4', 5', 6' brush widths available
- Mechanical angle standard, hydraulic optional
- Quick change core

Specification chart on next page



MRH - Compact Tractor Angle Sweeper - Hydraulic Drive



- General cleanup, snow removal, sidewalk cleaning
- Includes pump and hydraulic tank to power brush from tractor mid or rear PTO
- 26" and 30" brush diameters
- 4', 5', 6' brush widths available
- Mechanical angle standard, hydraulic optional
- Lift from tractor valve
- Quick change core

Specification chart on next page

SWEEPERS FOR COMPACT TRACTORS

RMRM - Compact Tractor Angle Sweeper - Mechanical 3-Point Drive



- General cleanup, snow removal, sidewalk cleaning
- Designed for compact tractors <30hp
- Driveline powered from rear 540
- 24" brush diameter
- 4', 5', 6' brush widths available
- Mechanical angle standard, hydraulic optional
- Lift with 3-point arms

MRH, MRHL & RMRM Specifications

Model	MRH	MRHL	RMRM
Mounting Location	front	loader arms	rear
Drive	hydraulic	hydraulic	chain
Brush Width Standard	6 ft	6 ft	5 ft
Sweeping Path at 30°	64"	64"	52"
Brush Diameter	24"	24"	24"
Manual Angle Change	standard	standard	standard
Hydraulic Angle Change	optional	optional	optional
PTO required	mid or rear	hydraulic	rear 540
Brush Lift	hydraulic	loader arm	rear 3 pt.
Hydraulics Supplied	yes	optional	n/a
HP required	15 to 25	15 to 25	15 to 25
Gearbox	none	none	1 to 1
Shipping Weight (app)	700 lbs	550 lbs	425 lbs

SWEEPERS FOR UTILITY TRACTORS

Prime Mover	Product Name	Description	Application
Utility Tractors	AH/CH	Utility Tractor Angle Sweeper - PTO to Hydraulic Drive	Heavy duty cleanup, paving, milling, snow
	RHFA	Utility Tractor Rear Mount Angle Sweeper - Mechanical 3-Point Drive	Cleanup, snow removal, pavement
	HR	Utility Tractor High Raise Angle Sweeper - Hydraulic Drive	Heavy duty cleanup, paving, milling, snow
	RLH	Utility Tractor Rear Mount Angle Sweeper - Hydraulic Drive	Cleanup, snow removal, pavement

AH/CH - Utility Tractor Angle Sweeper PTO to Hydraulic Drive



- Heavy duty cleanup, millings, snow removal
- Designed for utility tractors
AH>35hp, CH>40hp
- Powered by tractor's front PTO connected to included hydraulic pump, valve and oil tank
- Mounts to Cat I rear 3-point
- 32" brush diameter
- 5', 6', 7', 9', 9', brush widths available
- Mechanical angle standard, hydraulic angle optional
- Quick change core

Model	DM18		SM18		SM28		Width	Brush Diameter	Weight (Approx)
	GPM Range	PSI Range	GPM Range	PSI Range	GPM Range	PSI Range			
QC5	20-36	2000-3500	10-18	2000-3500	12-25	2000-3000	60"	32"	1090 lbs
QC6	20-36	2000-3500	10-18	2000-3500	12-25	2000-3000	72"	32"	1150 lbs
QC7	20-36	2000-3500	10-18	2000-3500	12-25	2000-3000	84"	32"	1210 lbs
QC8	20-36	2000-3500			12-25	2000-3000	96"	32"	1270 lbs
QC-9	20-36	2000-3500					108"	32"	1270 lbs

SWEEPERS FOR UTILITY TRACTORS

RHFA - Utility Tractor Rear Mount Angle Sweeper - Mechanical 3-Point Drive



- Heavy duty cleanup, millings, snow removal
- Designed for utility tractors >1,000 lb. 3-point lift capacity
- Driveline powered from rear 540
- Mounts to Cat I and II rear 3-point
- 32" Brush diameter
- 5', 6', 7', 8' brush widths available
- Mechanical angle standard

RHFA Specifications

Width with standard 6 ft brush	72"
Sweeping path	64"
Weight (lbs)	850

RLH - Utility Tractor Rear Mount Angle Sweeper - Hydraulic Drive

- Heavy duty cleanup, millings, snow removal
- Designed for utility tractors >1,000 lb. 3-point lift capacity
- Brush driven from tractor hydraulics
- Mounts to Cat I and II rear 3-point
- 32" Brush diameter
- 5', 6', 7', 8' brush widths available
- Mechanical angle standard,hydraulic optional
- Quick change core



	DM18		SM18		SM28				
Model	GPM Range	PSI Range	GPM Range	PSI Range	GPM Range	PSI Range	Width	Brush Diameter	Weight (Approx)
QC5	20-36	2000-3500	10-18	2000-3500	12-25	2000-3000	60"	32"	1090 lbs
QC6	20-36	2000-3500	10-18	2000-3500	12-25	2000-3000	72"	32"	1150 lbs
QC7	20-36	2000-3500	10-18	2000-3500	12-25	2000-3000	84"	32"	1210 lbs
QC8	20-36	2000-3500			12-25	2000-3000	96"	32"	1270 lbs
QC-9	20-36	2000-3500					108"	32"	1270 lbs

SWEEPERS FOR COMPACT TOOL CARRIERS

Prime Mover	Product Name	Description	Application
Compact Tool Carriers	CTC	Compact Tool Carrier Angle sweeper - Hydraulic Drive	Light duty cleanup, snow removal

Compact Tool Carrier - Angle Sweeper - Hydraulic Drive

- Dethatching lawns, snow removal, cleaning sidewalks, general cleanup
- For CTC with lift capacity <1,300 lbs.
- Powered by loader hydraulics - 10-16 GPM required
- 26" brush diameter
- 48" width
- Universal mounts
- Mechanical angle standard, hydraulic angle optional
- Lift from mower arms
- Quick change core



SWEEPERS FOR COMMERCIAL TURF MOWERS

Prime Mover	Product Name	Description	Application
Commercial Turf Mowers	CTM	Commercial Turf Mower Angle Sweeper - Mechanical Drive	Cleanup, dethatching lawns, snow removal, pavement
	CTH	Commercial Turf Mower Angle Sweeper - Hydraulic Drive	Cleanup, dethatching lawns, snow removal, pavement

CTM - Compact Turf Mower Angle Sweeper - Mechanical Drive



- Dethatching lawns, snow removal, cleaning sidewalks, general cleanup
- Gearbox and driveline from mower front PTO
- 24" brush diameter
- 4', 5', 6' brush widths available
- Mechanical angle standard, hydraulic angle optional
- Lift from mower arms

Specification chart on next page

SWEEPERS FOR COMMERCIAL TURF MOWERS

CTH - Commercial Turf Mower Angle Sweeper - Hydraulic Drive



- Dethatching lawns, snow removal, cleaning sidewalks, general cleanup
- Includes pump and hydraulic tank to power brush
- 26" brush diameter
- 4', 5', 6' brush widths available
- Mechanical angle standard, hydraulic angle optional
- Lift from mower arms
- Quick change core

CTM & CTH Specifications

Model	CTH	CTM
Mounting Location	front	front
Drive	hydraulic	chain
Brush Width Standard	5 ft	5 ft
Sweeping Path at 30°	52"	52"
Brush Diameter	24"	24"
Manual Angle Change	standard	standard
Hydraulic Angle Change	optional	optional
PTO required	front	front
Brush Lift	mower lift	mower lift
Hydraulics Supplied	yes	n/a
HP required	15 to 30	15 to 30
Gearbox	none	3 to 1
Shipping Weight (app)	600 lbs	550 lbs

TOW BEHIND SWEEPERS

Prime Mover	Product Name	Description	Application
Trucks and Utility Loaders	Tow Behind	Tow Behind Angle Sweeper	Heavy duty cleanup

TBTD - Tow Behind Angle Sweeper - Tractor Driven Hydraulic Brush Drive

- Heavy duty cleanup
- Sweeper rear wheels connected to an on-board hydraulic pump, valve and tank power hydraulic motor on brush head
- 32" brush diameter
- 7' brush width available
- Multiple brush configurations available
- Quick change core



Model Number	TBTD7	TBTD8	TBTD9
Width	84"	96"	108"
Brush Diameter	32"	32"	32"
Weight (lbs. approx.)	3,340	3,440	3,540

TBTH - Tow Behind Angle Sweeper - Hydraulic Drive from Tow Vehicle Hydraulic System



- Heavy duty cleanup
- Tow vehicle hydraulic system powers dual hydraulic brush motors
- Requires 17 GPM @ 2,000 psi
- 32" brush diameter
- 7', 8', 9' brush widths available
- Multiple brush configurations available
- Quick change core

Model Number	TBTH7	TBTH8	TBTH9
Width	84"	96"	106"
Brush Diameter	32"	32"	32"
Weight (lbs. approx)	2,300	2,400	2,500

SWEEPER OPTIONS & WEAR PARTS

Sweepster has many options for the various sweepers they offer:

- Dirt Deflectors and 180° hoods
- Hydraulic angle
- Caster wheels
- Storage stands
- Sprinkler kits
- Independent hydraulic system pump drives
- Site indicators (flags and balls)
- Gutter brushes (collector sweepers only) with wire or polypropylene bristles



Sweepster supplies a full line of replacement brushes for all your sweeping needs:

- Replacement brush sections and brush sets
- Gutter brush
- Sweeper skirting (collector sweepers)
- Air filter (waterless dust abatement sweepers)



**SELECTION.
INNOVATION.
PERFORMANCE.**



PALADIN®