



PALADIN®

BRADCO

www.paladinattachments.com



MINI BRUSH GRAPPLES

FOR COMPACT TOOL CARRIERS

The Paladin® Mini Brush Grapple has a unique open tine design that makes it perfect for use on mini skid steer loaders. It's available in three widths: 42", 48", and 54", and is particularly well-suited for moving brush, limbs, and branches. The open tine design enables the grapple to move vegetation material while allowing soil to fall through and remain in place.

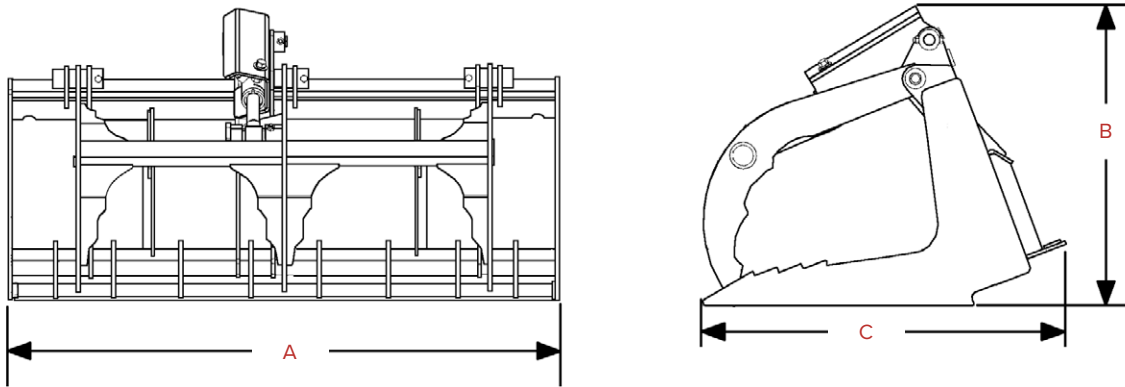
MINI BRUSH GRAPPLES

FOR COMPACT TOOL CARRIERS

FEATURES

- 42", 48", and 54" widths available
- Hydraulic grapple with guarded cylinder
- 1,500 to 3,000 operating pressure (psi)
- High strength grade 50 steel throughout

SPECIFICATIONS



	235962	235965	235967	235963	235964	235966	235902	235904
A. WIDTH	42 IN.	48 IN.	54 IN.	42 IN.	48 IN.	54 IN.	48 IN.	54 IN.
B. OVERALL HEIGHT	26 IN.	26 IN.	26 IN.	26 IN.	26 IN.	26 IN.	26 IN.	26 IN.
C. OVERALL LENGTH	31 IN.	31 IN.	31 IN.	31 IN.	31 IN.	31 IN.	31 IN.	31 IN.
GRAPPLE OPENING	29 IN.	29 IN.	29 IN.	29 IN.	29 IN.	29 IN.	29 IN.	29 IN.
WEIGHT	256 LBS	275 LBS	283 LBS	299 LBS	318 LBS	326 LBS	318 LBS	325 LBS
RATED OPERATING CAPACITY	2500 LBS	2500 LBS	2500 LBS	2500 LBS	2500 LBS	2500 LBS	2500 LBS	2500 LBS
MOUNT	CII	CII	CII	Bobcat	Bobcat	Bobcat	SSL	SSL