



PALADIN®

BRADCO

www.paladinattachments.com



MINI VIBRATORY PLOWS

FOR COMPACT TOOL CARRIERS

The Paladin® Mini Vibratory Plow's hydraulic motor includes high-pressure seal and internal valve for extended motor life and performance. Two motor size options for maximum performance for almost any loader. Low-maintenance exciter unit generates up to 5,000 pounds of force. Optional hydraulic steering, cable reel mount, cable grips, and bullets. Variety of blades types to choose from. Removable pressure foot and cutler wheel included to minimize ground disturbance.

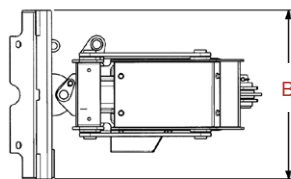
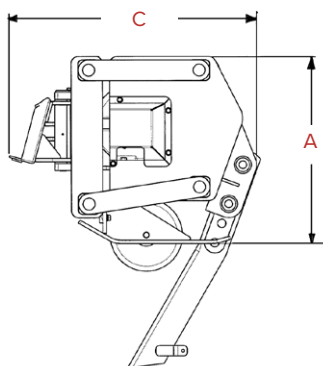
MINI VIBRATORY PLOWS

FOR COMPACT TOOL CARRIERS

FEATURES

- 12' turning radius
- Rotating coultter wheel frame mounted
- Optional equipment, such as cable chute blades, cable reel mount, and pulling accessories, as well as a hydraulic steering assembly, can be included

SPECIFICATIONS



	19733	19734
A. OVERALL HEIGHT	27.1 IN.	27.1 IN.
B. OVERALL WIDTH	24.5 IN.	24.5 IN.
C. OVERALL LENGTH	35.8 IN.	35.8 IN.
FLOW REQUIREMENTS	8-11 GPM	10-14 GPM
OPERATING PRESSURE	1500-2500 PSI	1500-2500 PSI
WEIGHT	510 LBS	510 LBS

HYDRAULIC KITS (ONE REQUIRED)	
19380	Without Steering, .50" Poppet Couplers
19381	Without Steering, .50" Flat Face Couplers
19382	With Steering, .50" Poppet Couplers
19383	With Steering, .50" Flat Face Couplers

MOUNTING KITS (ONE REQUIRED)	
19382	With Steering, .50" Poppet Couplers
19383	With Steering, .50" Flat Face Couplers

PLOW BLADES (ONE REQUIRED)	
.375" (3/8") Wide Blade	
19325	.375" Blade 20°, 1" Clevis, 6" To 12" Depth
19441	.375" Blade 30°, 1" Clevis, 6" To 12" Depth
18690	.375" Blade 20°, 1" Clevis, 12" To 18" Depth
2007030	.375" Blade 30°, 1" Clevis, 12" To 18" Depth

OPTIONS	
17754	Pull Bullet Assembly, 2.5" Dia
2001171	Cable Pull Grip, 1" To 1.24" Cable
100435	Cable Pull Grip, .75" To .99" Dia.
100436	Cable Pull Grip, 1.25" To 1.49" Dia.
18740	Pipe Bullet Assembly, 1" To 1.5" Pipe
19085	Cable Reel Mount, 24" Max. Dia. Reel
18739	Hydraulic Steering Assembly
19732	Steering Conversion Kit, .50" Poppet Couplers
19735	Steering Conversion Kit, .50" Flat Face Couplers

.50" (1/2") Wide Chute Blade	
19442	.50" Chute Blade 20°, 6" To 12" Depth
19443	.50" Chute Blade 30°, 6" To 12" Depth
19444	.50" Chute Blade 20°, 12" To 18" Depth
19445	.50" Chute Blade 30°, 12" To 18" Depth
109214	.50" Chute Blade 20°, 20" To 24" Depth
112256	.50" Chute Blade 30°, 18" To 24" Depth



2800 Zeeb Road // Dexter, MI 48130 // 833-723-1843 // www.PaladinAttachments.com