



PALADIN®

FFC

www.paladinattachments.com



CONCRETE CHUTER

FOR SKID STEER LOADERS

The FFC® Concrete Chuter is engineered to give more control, fit in tight spaces where cement trucks can't, and accurately place concrete where it needs to go. Never wheelbarrow or pump concrete again!

CONCRETE CHUTER

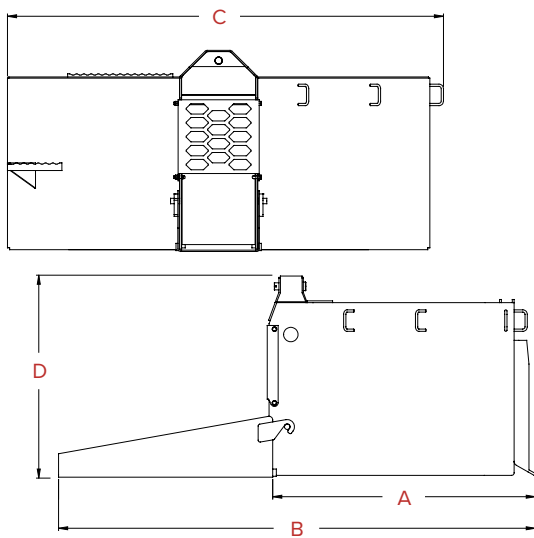
FOR SKID STEER LOADERS

FEATURES

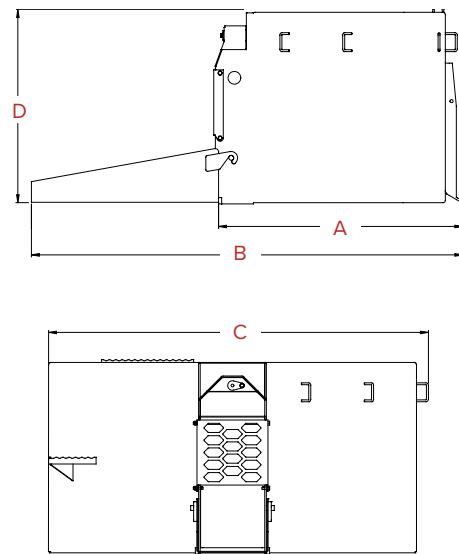
- Carries and places concrete with a skid-steer loader where cement trucks can't go
- Quick and clean, accurate placement of concrete with no mess
- Ideal for pouring deck footings and formed columns or walls
- Hydraulically controlled dispensing door with tight fitting seal
- No spill top edge for easy clean-up
- Available in 1/2 or 3/4 yard
- Ruggedly built dispensing door with a tight-fitting seal for accurate multiple placements
- Patented safety door is completely inaccessible to co-workers to prevent accidental injury to those assisting, spreading and troweling the concrete
- No spill top edge, squared off corners and powder coat finish make for an easy-to-clean chuter

SPECIFICATIONS

1/2 yard Concrete Chuter



3/4 yard Concrete Chuter



	C50	C75
A. CONTAINER LENGTH	36.5 IN. / 930 MM	39 IN. / 991 MM
B. OVERALL LENGTH	65.5 IN. / 1663 MM	68 IN. / 1727 MM
C. OVERALL WIDTH	58 IN. / 1473 MM	58 IN. / 1473 MM
D. OVERALL HEIGHT	28.3 IN. / 719 MM	31 IN. / 787 MM
E. CENTER OF GRAVITY - HORIZONTAL	15.2 IN. / 386 MM	15.8 IN. / 401 MM
F. CENTER OF GRAVITY - VERTICAL	7.6 IN. / 193 MM	5.8 IN. / 147 MM
WEIGHT	450 LBS / 204 KG	520 LBS / 236 KG
MINIMUM LIFT CAPACITY	700 LBS / 318 KG	3200 LBS / 1451 KG
HYDRAULIC FLOW - CONTINUOUS	20 GPM / 76 LPM	20 GPM / 76 LPM
MAXIMUM PRESSURE	3500 PSI / 241 BAR	3500 PSI / 241 BAR