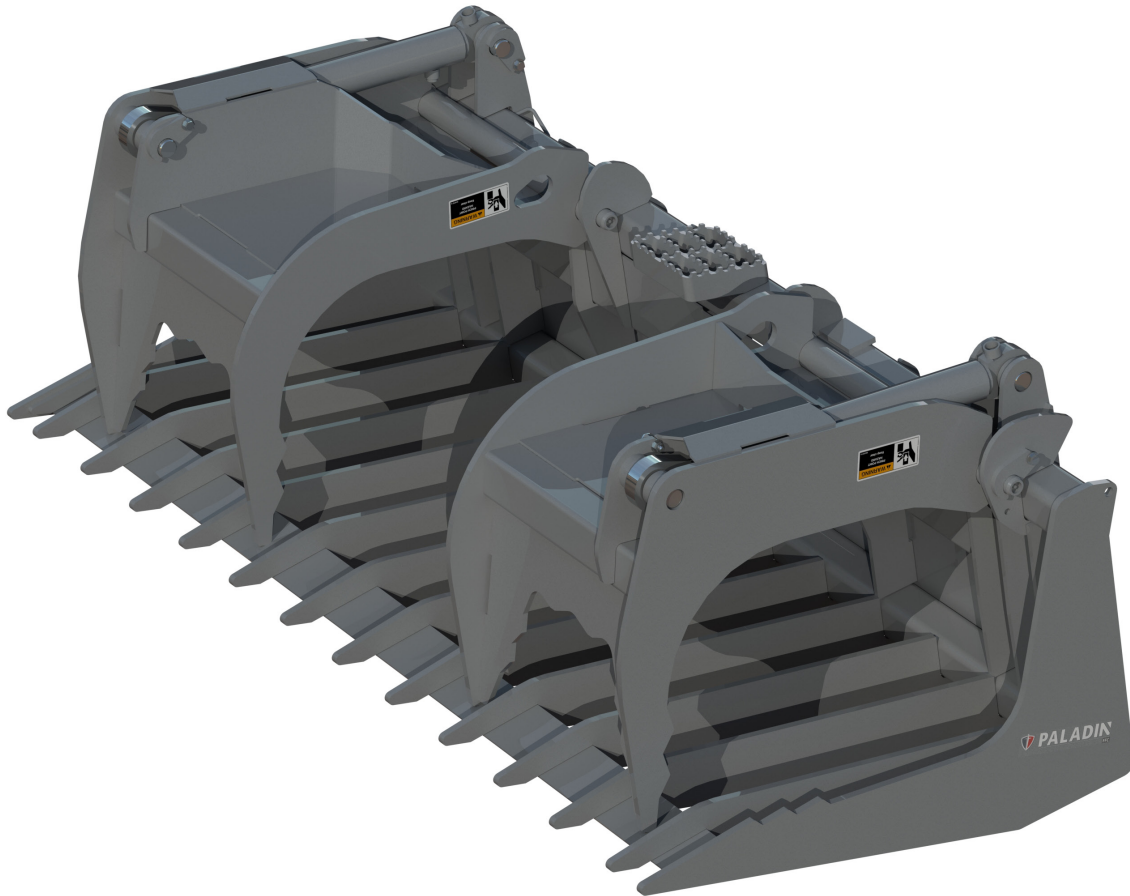




PALADIN®

FFC

www.paladinattachments.com



HEAVY DUTY BRUSH GRAPPLES

FOR SKID STEER LOADERS

Paladin Heavy Duty Brush Grapples for large skid steers and ag loaders are designed for the toughest jobs with patented grapple pins and cushioned cylinders. The HD Brush Grapples have an open tine floor design and are available in 72", 78" 84" and 90" widths. These heavy-duty grapples are ideally suited for scrap yards, recycling, brush and trash removal, and construction sites.

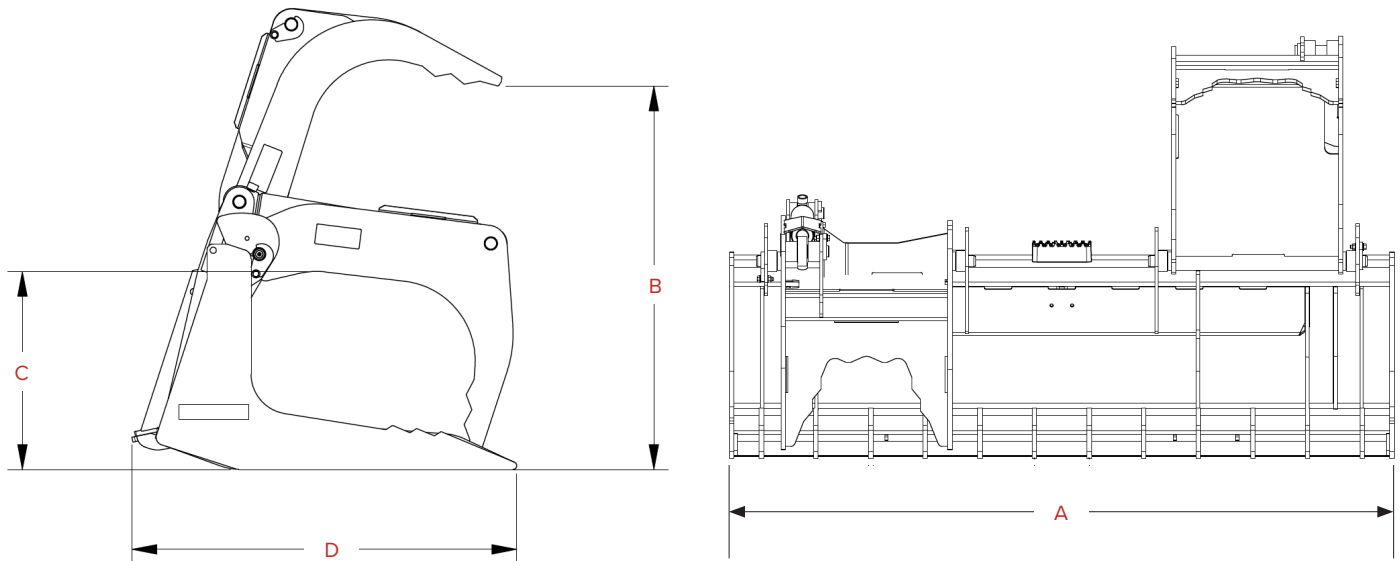
HEAVY DUTY BRUSH GRAPPLES

FOR SKID STEER LOADERS

FEATURES

- Standard cylinder guards protect all cylinder components
- 6" tine spacing
- 1 1/4" cylinder pivot pins
- 1 1/4" x 24" patented grapple pins reduce torsional force
- Patented cushioned cylinders are 2" x 8" x 1 1/4" on
- Standard load check valve
- 100,000 PSI yield strength material

SPECIFICATIONS



	11372-0022	11378-0022	11384-0022	11390-0022
A. OVERALL WIDTH	73 IN. / 1854 MM	79 IN. / 2007 MM	85 IN. / 2159 MM	91 IN. / 2311 MM
B. OVERALL HEIGHT - OPEN	40 IN. / 1016 MM	40 IN. / 1016 MM	40 IN. / 1016 MM	40 IN. / 1016 MM
C. OVERALL HEIGHT - CLOSED	29 IN. / 737 MM	29 IN. / 737 MM	29 IN. / 737 MM	29 IN. / 737 MM
D. OVERALL DEPTH WITH UNIV MOUNTS	39 IN. / 991 MM	39 IN. / 991 MM	39 IN. / 991 MM	39 IN. / 991 MM
WEIGHT	925 LBS / 420 KG	999 LBS / 453 KG	1054 LBS / 478 KG	1105 LBS / 501 KG
WEIGHT OF PRIME MOVER	20000 LBS / KG MAXIMUM			
LIFT CAPACITY OF PRIME MOVER	10000 LBS / 9072 KG MAXIMUM			
OPERATING CAPACITY OF PRIME MOVER	5000 LBS / 2268 KG MAXIMUM			
HYDRAULIC PRESSURE OUTPUT	3000 PSI / 207 BAR MAXIMUM			