



PALADIN®

BRADCO

www.paladinattachments.com



MM421/422 DRUM MULCHERS

FOR EXCAVATORS

The Paladin® MM411/422 Mulchers, available in both standard and hi-flow hydraulic options, shreds up to 12" diameter hardwood trees with a cutting width of 42" using a patented reversible tooth design. Each tooth has a cross bar the full width of the tooth to help keep proper cutting alignment during operation. A synchronous belt drive system eliminates belt and drive sprocket slippage and a heavy duty bent axis variable displacement piston motor that offers better performance optimization. The piston motor also allows the mulcher to be switched easily to other prime movers without having to change out hydraulic motors, belts, or belt drive sprockets/pulleys.

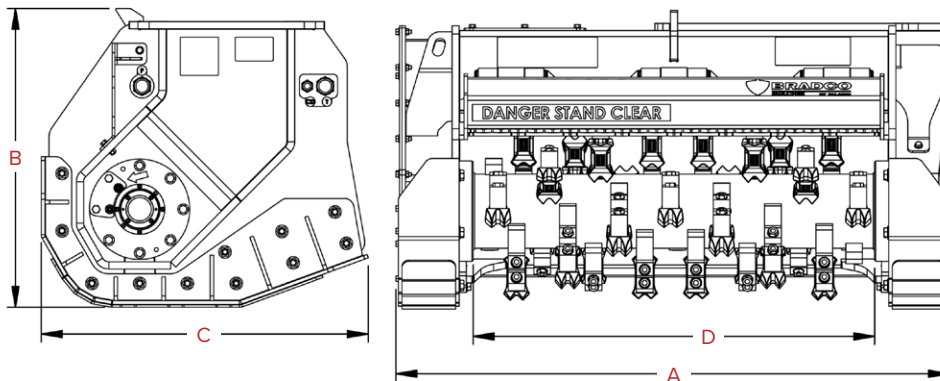
MM421/422 DRUM MULCHERS

FOR EXCAVATORS

FEATURES

- Designed to operate from 1,550 to 2,000 RPM
- Replaceable abrasion resistant AR400 wear plate on skid shoes
- Deflector door standard to control particle size and discharge direction

SPECIFICATIONS



	MM421	MM422
CARRIER WEIGHT CLASS	14-21 T	20-30 T
A. OVERALL WIDTH	58 IN. / 1.473 MM	58.63 IN. / 1.489 MM
B. OVERALL HEIGHT	31.25 IN. / 794 MM	33 IN. / 838 MM
C. OVERALL LENGTH	34.27 IN. / 870 MM	34.93 IN. / 887 MM
D. CUTTING WIDTH	42 IN. / 1.067 MM	42 IN. / 1.067 MM
OPERATING PRESSURE	4500-5800 PSI / 310-400 BAR	4500-5800 PSI / 310-400 BAR
HYDRAULIC FLOW	29-39 GPM / 110-148 L/MIN	40-52 GPM / 151-197 L/MIN
REQUIRED HORSEPOWER	55-95 HP	75-115 HP
NUMBER OF TEETH	30	30
WEIGHT¹	2505 LBS / 1.136 KG	2920 LBS / 1.324 KG

¹Weight does not include excavator mount.