



# PALADIN®

BRADCO

[www.paladinattachments.com](http://www.paladinattachments.com)



## MM60 DRUM MULCHERS

FOR SKID STEER LOADERS & EXCAVATORS

Paladin's® Mulchers are capable of shredding hardwood trees of up to 8 inches in diameter with their patented tooth design. Each tooth has a crossbar that spans the entire width of the tooth, ensuring that proper cutting alignment is maintained during operation.

# MM60 DRUM MULCHERS

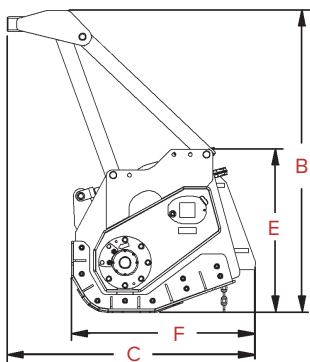
FOR SKID STEER LOADERS & EXCAVATORS

## FEATURES

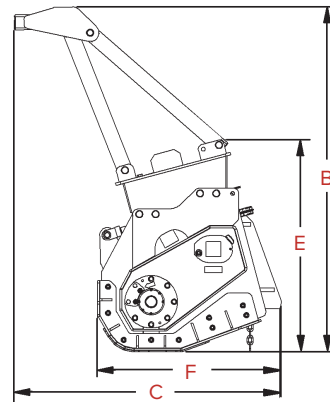
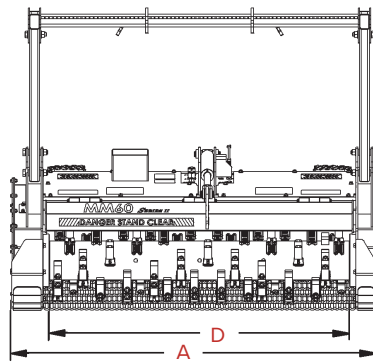
- Shreds up to 8" diameter hardwood trees
- Patented tooth design and easily interchangeable tooth design options
- Replaceable abrasion resistant AR400 wear plate on skid shoes
- Deflector door standard to control particle size and discharge direction
- Compared to single-edge styles, reversible teeth offer twice the lifespan

## SPECIFICATIONS

SKID STEER LOADER APPLICATIONS



EXCAVATOR AND COMBINATION APPLICATIONS



MM60S = SKID STEER LOADER  
MM60E = EXCAVATOR  
MM60C = COMBINATION  
MM60H = FORESTRY

	MM60S	MM60E	MM60C	MM60H
<b>A. OVERALL WIDTH</b>	73.00 IN. / 1854 MM	73.00 IN. / 1854 MM	73.00 IN. / 1854 MM	73.00 IN. / 1854 MM
<b>B. OVERALL HEIGHT</b>	60.42 IN. / 1535 MM	N/A	68.87 IN. / 1749 MM	60.42 IN. / 1535 MM
<b>C. OVERALL LENGTH</b>	49.50 IN. / 1232 MM	N/A	53.33 IN. / 1355 MM	49.50 IN. / 1232 MM
<b>D. CUTTING WIDTH</b>	60.00 IN. / 1524 MM	60.00 IN. / 1524 MM	60.00 IN. / 1524 MM	60.00 IN. / 1524 MM
<b>E. HEIGHT W/O PUSH OVER BAR</b>	32.63 IN. / 829 MM	42.30 IN. / 1074 MM	42.30 IN. / 1074 MM	32.63 IN. / 829 MM
<b>E. LENGTH WITH PUSH OVER BAR</b>	36.71 IN. / 932 MM	36.71 IN. / 932 MM	36.71 IN. / 932 MM	36.71 IN. / 932 MM
<b>OPERATING PRESSURE</b>	3000-4000 PSI / 207-276 BAR	3000-5800 PSI / 207-400 BAR	3000-5800 PSI / 207-400 BAR	3000-4000 PSI / 207-276 BAR
<b>HYDRAULIC FLOW</b>	30-45 GPM / 114-170 LPM	30-60 GPM / 114-227 LPM	30-60 GPM / 114-227 LPM	35-45 GPM / 132-170 LPM
<b>REQUIRED HORSEPOWER</b>	60-90 HP	60-90 HP	60-90 HP	60-130 HP
<b>NUMBER OF TEETH</b>	44	44	44	44
<b>WEIGHT</b>	2530 LBS / 1148 KG	2710 LBS / 1229 KG	2980 LBS / 1352 KG	2550 LBS / 1157 KG

### CYLINDER SPECIFICATIONS

<b>BORE</b>	2.00 IN. / 51 MM	N/A	2.00 IN. / 51 MM	2.00 IN. / 51 MM
<b>STROKE</b>	8.75 IN. / 222 MM	N/A	8.75 IN. / 222 MM	8.75 IN. / 222 MM
<b>ROD DIAMETER</b>	1.25 IN. / 32 MM	N/A	1.25 IN. / 32 MM	1.25 IN. / 32 MM



2800 Zeeb Road // Dexter, MI 48130 // 833-723-1843 // [www.paladinattachments.com](http://www.paladinattachments.com)